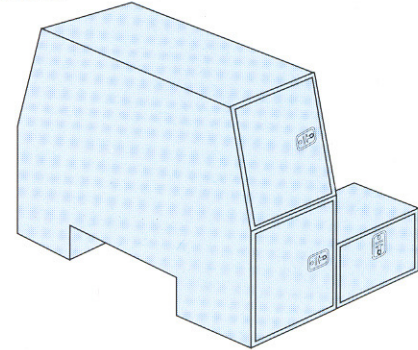
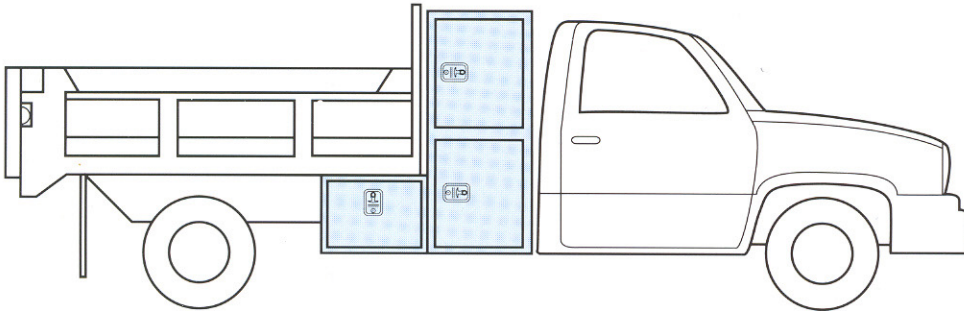


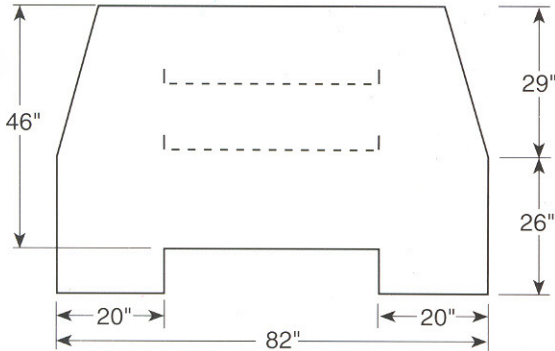
OMAHA BACKMATE

Omaha's BackMate adds versatile, safe storage to your truck and does not interfere with normal truck operations such as dumping, loading and hauling. Available in both "I" and "L" configurations, the BackMate features two shelves in the main compartment with easy access from either side.

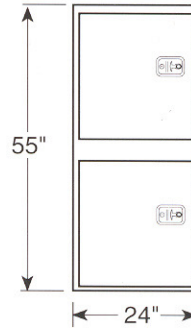


BACKMATE FEATURES

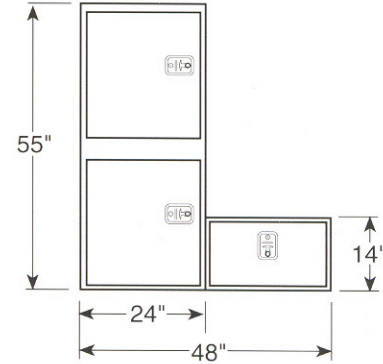
- All galvaneal steel construction
- Full length continuous door hinge with 3/16" stainless steel pin with 1" galvaneal steel flaps
- 16 ga. reinforced galvaneal door panels
- Full perimeter automotive type door seals - uninterrupted - no break at door latch
- Interiors painted white at factory
- Exteriors sealed and prime painted
- Guaranteed against rust through for 5 years
- Key lockable T-handle twist latch with adjustable striker plate



Rear View



Side View "I" Configuration



Side View "L" Configuration

"I" BACKMATE

MODEL	PART NO.	LENGTH	HEIGHT	DEPTH	APPROX WT.
BM - I	34-30101P	24"	55"	82"	456 LBS.

"L" BACKMATE

MODEL	PART NO.	LENGTH	HEIGHT	DEPTH	APPROX WT.
BM - L	34-30111P	44"	55"	82"	538 LBS.

*Also available: flat bottom Backmate to fit foreign chassis.



Omaha Standard

... We Create Value

2401 West Broadway, Council Bluffs, Iowa 51501 U.S.A.
712-328-7444 • FAX 712-328-8383

In the interest of continuing product improvement, Omaha Standard Inc. reserves the right to modify, change or revise design and specifications and furnish products so altered without prior notice.

DISTRIBUTED BY: