

FONTAINE

# The Fontaine<sup>®</sup> TechLock<sup>®</sup> System

Your only Source for the Latest  
Fifth Wheel Technology



# ADVANCED TECHNOLOGY

**The C7000 Series Clean-Connect™ Fifth Wheel** gives you all the advantages of Fontaine's No-Slack® II locking technology plus the added benefit of a grease-free top plate surface.

## Lower Operating Costs

The obvious benefit of Clean-Connect™ technology is that the fifth wheel no longer requires grease to lubricate between the top plate surface and the trailer coupling plate. Only periodic greasing of the locking mechanism is required.\* This eliminates the labor costs, materials and downtime associated with greasing and regreasing the top plate surface over the life of the vehicle.

## Improves Safety

Clean-Connect™ technology improves safety on the road and in the shop. A buildup of grease can mask problems with the truck frame, such as cracks or missing bolts. These hidden problems could cause serious safety issues down the road.

Grease on a frame can also create a slippery situation for mechanics and drivers, leading to falls. With Clean-Connect™ technology mechanics work cleaner, faster and safer because they don't have to hassle with grease.

## Superior Performance

Coupling and uncoupling the C7000 is fast and easy. The patented No-Slack® II lock is easier to engage and disengage than any other fifth wheel on the market.

Drivers really appreciate Clean-Connect™ technology. They report a smooth ride with a predictable "feel" of the trailer on the road. Steer effort is fluid and consistent—even in tight turns—because the trailer slides easily on the Clean-Connect™ surface.

It actually performs better in cold weather than a greased top plate because grease tends to solidify in cold temperatures. This increases friction, making it more difficult to maneuver the trailer.

## Cleaner Environment

This new technology offers other advantages that are priceless. It is estimated that 100 million pounds of grease wash off fifth wheel top plates every year. Clean-Connect™ technology virtually eliminates this problem. It also eliminates the possibility of grease squeezing out between the top plate surface and trailer plate. This reduces grease contamination of runoff and ground water.

Adding the new C7000 Series Clean-Connect™ fifth wheel to the Fontaine TechLock® System gives our customers one more reason to say, "You just can't beat The System."



The Clean-Connect™ insert pad acts as a lubricant between the top plate surface and the trailer coupling plate without using any grease

For added safety the patented positive secondary lock can only be released by pulling the handle

Advanced engineering and construction reduce maintenance to give you the lowest cost per mile

The patented safety trigger eliminates the possibility of false trailer couplings to prevent dangerous high-hitching

Patented No-Slack® II jaw and wedge locking system eliminates slack automatically to save time, cut labor cost and reduce wear

State-of-the-art design, created by finite element analysis, solid modeling and extensive testing, is strategically reinforced for greater durability

The computer designed surface contact area gives you greater road stability and durability

The patented No-Slack® II lock is easier to engage and disengage than any other fifth wheel on the market



\* See the Recommended Practice RP 731A (T) Lube-Free Coupling Guidelines from the Technology & Maintenance Council (TMC) of American Trucking Associations, 2200 Mill Road, Alexandria, VA 22314; 703-838-1763; <http://tmc.truckline.com>

# CHOOSE THE RIGHT FIFTH WHEEL



**6000 SERIES**

## **No-Slack® II (6000 Series)**

- **50,000 pounds vertical load**
- **150,000 pounds drawbar pull**

The innovative 6000 Series fifth wheel is designed for standard and moderate duty applications. It features the patented self-adjusting No-Slack® II locking mechanism with a positive secondary lock that can only be released by pulling the handle. A safety trigger eliminates the possibility of false couplings to prevent dangerous high-hitching. The pull force required to open the wheel is only 65 lbs. Approximate weight: 235 lbs.



**7000 SERIES**

## **No-Slack® II (7000 Series)**

- **55,000 pounds vertical load**
- **150,000 pounds drawbar pull**

The 7000 Series offers all the benefits of our 6000 Series, but in a cast design rather than pressed steel. It features the patented self-adjusting No-Slack® II locking mechanism with a positive secondary lock that can only be released by pulling the handle. A safety trigger eliminates the possibility of false couplings to prevent dangerous high-hitching. The pull force required to open the wheel is only 85 lbs. Approximate weight: 245 lbs.



**C7000 SERIES**

## **No-Slack® II (C7000 Series)**

- **55,000 pounds vertical load**
- **150,000 pounds drawbar pull**

The new C7000 Series Clean-Connect™ top plate gives you all the performance of our 7000 Series plus the added benefit of a grease-free top plate surface. This important feature eliminates the labor costs, materials and downtime associated with greasing and regreasing the top plate surface over the life of the vehicle. This environmentally friendly technology helps reduce grease contamination of runoff and ground water. The pull force required to open the wheel is only 85 lbs. Approximate weight: 248 lbs.



**H5092 SERIES**

## **No-Slack® (H5092 Series)**

- **62,500 pounds vertical load**
- **150,000 pounds drawbar pull**

The H5092 Series fifth wheel is designed for applications such as logging, chip hauling and end dump trailers. This rugged fifth wheel uses a patented self-adjusting No-Slack® locking mechanism. Special steel cross members reinforce this wheel to reduce damaging fifth wheel flex under heavy loads. Approximate weight: 277 lbs.



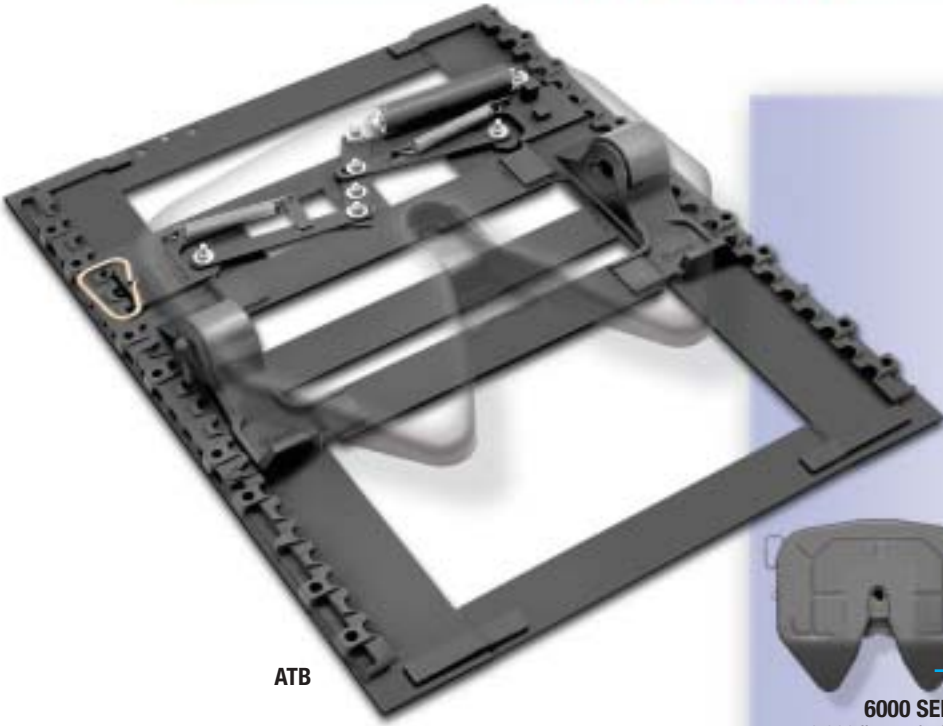
**X5092 SERIES**

## **No-Slack® (X5092 Series)**

- **75,000 pounds vertical load**
- **200,000 pounds drawbar pull**

The X5092 Series fifth wheel is designed for severe service applications. It offers the same great features as the H5092 Series, plus additional steel reinforcement for even greater capacity. Approximate weight: 334 lbs.





ATB

If it seems like you're repositioning your fifth wheel after every drop, here's the perfect solution. The Fontaine® ATB uses an air cylinder to drive a mechanical linkage that engages and releases the slide locking wedges. This makes fifth wheel repositioning faster and easier than ever before. Plus, the ATB is loaded with features designed to deliver maximum performance.

- Two inch slide increments give you greater slide versatility for improved payload distribution
- New greaseless bracket liner gives you consistent lubrication, reduces wear (no metal-to-metal contact) and cuts maintenance costs
- To protect the stainless steel air cylinder shaft from corrosion, bending and road spray, the unit operates from a closed position
- New Quad-Lock™ four point locking system increases locking surface area for greater stability and improved wear characteristics
- Composite air cylinder features improved sealing performance and superior corrosion resistance for longer service life
- Dual durometer two piece bushing for improved shock absorption and better support
- Computer designed reinforced cast bracket for lighter weight and greater strength

## Air Slide Fifth Wheels (ATB)

FIFTH WHEEL MODEL NUMBER	MOUNTING HEIGHT	SLIDE TRAVEL	6000 WEIGHT*
SL_ATB675012	6 <sup>3</sup> / <sub>4</sub> "	12"	436
SL_ATB675016		16"	450
SL_ATB675024		24"	461
SL_ATB675036		36"	484
SL_ATB675048		48"	510
SL_ATB775012	7 <sup>3</sup> / <sub>4</sub> "	12"	441
SL_ATB775016		16"	455
SL_ATB775024		24"	466
SL_ATB775036		36"	489
SL_ATB775048		48"	515
SL_ATB875012	8 <sup>3</sup> / <sub>4</sub> "	12"	446
SL_ATB875016		16"	460
SL_ATB875024		24"	471
SL_ATB875036		36"	494
SL_ATB875048		48"	520
SL_ATB975012	9 <sup>3</sup> / <sub>4</sub> "	12"	451
SL_ATB975016		16"	465
SL_ATB975024		24"	476
SL_ATB975036		36"	499
SL_ATB975048		48"	525
SL_ATB1075012	10 <sup>3</sup> / <sub>4</sub> "	12"	474
SL_ATB1075016		16"	488
SL_ATB1075024		24"	499
SL_ATB1075036		36"	522
SL_ATB1075048		48"	548



### 6000 SERIES

50,000 lbs vertical load  
150,000 lbs drawbar pull  
To order insert "6" Example:  
SL6ATB1075048



### 7000 SERIES

55,000 lbs vertical load  
150,000 lbs drawbar pull  
To order insert "7" Example:  
SL7ATB1075048



### C7000 SERIES

55,000 lbs vertical load  
150,000 lbs drawbar pull  
To order insert "C" Example:  
SLCATB1075048



### H5092 SERIES

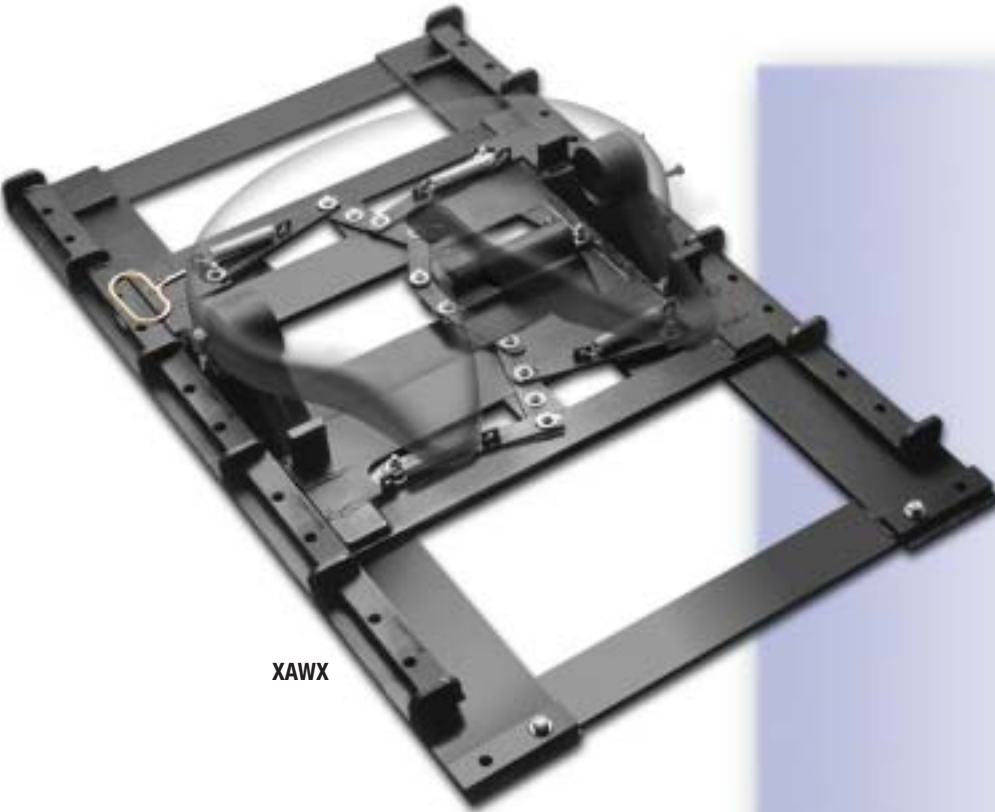
62,500 lbs vertical load  
150,000 lbs drawbar pull  
To order insert "H" Example:  
SLHATB1075048

Not available in 6<sup>3</sup>/<sub>4</sub>" or  
7<sup>3</sup>/<sub>4</sub>" Mounting Heights

### NOTES FOR ATB MODELS:

1. To order an Air Actuated Top Plate replace the "SL" prefix in the Part Number with "AA" (Example: AA6ATB1075048). Add 4 lbs. to shipping weight.
2. \*Weights shown are for 6000 Series top plate. For 7000 Series add 10 lbs. For C7000 Series add 13 lbs. For H5092 Series add 42 lbs.
3. Complete assemblies with 60" and 72" of slide travel are available as special order items.
4. All the assemblies are supplied with left-side (driver's side) release. If right-side (curbside) release is required, replace the "SL" prefix in the Part Number with "SR".
5. Installation parts also available. Consult Customer Service.

# XTRA™ HEAVY DUTY AIR SLIDE



**XAWX**

Some hauling jobs are so tough you need the extra strength and extra security of the Fontaine® XTRA™ Heavy Duty Air Slide Fifth Wheel. Designed to carry more weight than ever before – even under rugged conditions – this fifth wheel is perfect for tankers and other heavy haulers. Repositioning the XAWX™ is fast and easy. The air cylinder drives a mechanical linkage that engages and releases the slide locking wedges. A computer designed specially reinforced substructure adds even more support in load bearing areas. When heavy duty isn't heavy enough, specify the Fontaine XTRA™ Heavy Duty Air Slide Fifth Wheel. It's loaded with performance features that make it the king of its class.

## XTRA™ Heavy Duty Air Slide Fifth Wheels (XAWX)

FIFTH WHEEL MODEL NUMBER	MOUNTING HEIGHT	SLIDE TRAVEL	TOTAL WEIGHT
SLXAWX950012	9 1/2"	12"	649
SLXAWX950024		24"	679
SLXAWX950036		36"	718
SLXAWX950048		48"	748
SLXAWX1050012	10 1/2"	12"	655
SLXAWX1050024		24"	685
SLXAWX1050036		36"	724
SLXAWX1050048		48"	754
SLXAWX1150012	11 1/2"	12"	661
SLXAWX1150024		24"	691
SLXAWX1150036		36"	730
SLXAWX1150048		48"	760

### NOTES FOR XAWX MODELS:

1. All the assemblies are supplied with left-side (driver's side) release. If right-side (curbside) release is required, replace the "SL" prefix in the Part Number with "SR".
2. Installation parts also available. Consult Customer Service.
3. Complete assemblies with 60" and 72" of slide travel are available as special order items.

### ABOUT SLIDING MOUNTS:

A sliding mount gives you greater fifth wheel flexibility. You can transfer weight between tractor axles, handle trailers with different kingpin settings and vary vehicle combination lengths. A sliding mount fifth wheel also provides additional maneuverability, accommodates trailers with short landing gear clearance, and allows the driver to extend the unit for maximum comfort when weight allows.

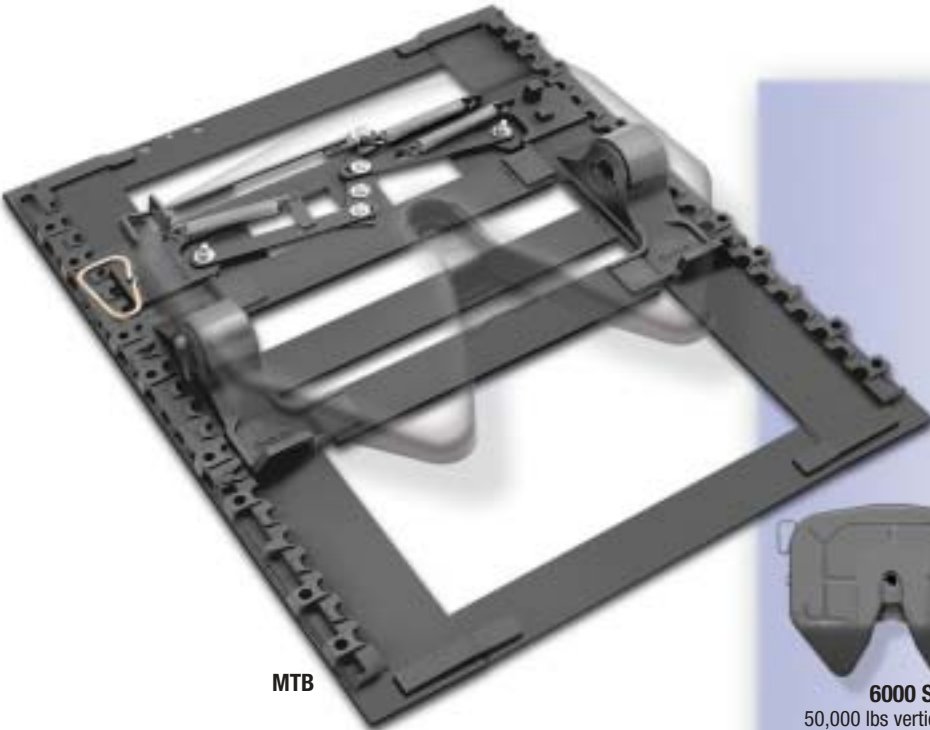


**X5092 SERIES**

75,000 lbs vertical load  
200,000 lbs drawbar pull



# MANUAL SLIDE



MTB

If you need the flexibility to reposition your fifth wheel, but you don't want an air operated system, then the Fontaine® Manual Slide is made just for you. This sliding fifth wheel uses a strong mechanical linkage to engage and disengage the tapered locking wedges. Springs are plated for extra corrosion resistance. Rugged steel construction delivers strong reliable performance time after time. The Fontaine® MTB makes fifth wheel repositioning fast and easy. Plus, the MTB is loaded with features you'll really appreciate.

- Two inch slide increments give you greater slide versatility for improved payload distribution
- New greaseless bracket liner gives you consistent lubrication, reduces wear (no metal-to-metal contact) and cuts maintenance costs
- Quad-Lock™ four point locking system increases locking surface area for greater stability and improved wear characteristics
- Dual durometer two piece bushing for improved shock absorption and better support
- Computer designed reinforced cast bracket for lighter weight and greater strength



### 6000 SERIES

50,000 lbs vertical load  
150,000 lbs drawbar pull  
To order insert "6" Example:  
SL6MTB1075048



### 7000 SERIES

55,000 lbs vertical load  
150,000 lbs drawbar pull  
To order insert "7" Example:  
SL7MTB1075048



### C7000 SERIES

55,000 lbs vertical load  
150,000 lbs drawbar pull  
To order insert "C" Example:  
SLCMTB1075048



### H5092 SERIES

62,500 lbs vertical load  
150,000 lbs drawbar pull  
To order insert "H" Example:  
SLHMTB1075048

Not available in 6 3/4" or 7 3/4" Mounting Heights

## Manual Slide Fifth Wheels (MTB)

FIFTH WHEEL MODEL NUMBER	MOUNTING HEIGHT	SLIDE TRAVEL	6000 WEIGHT*
SL_MTB675012	6 3/4"	12"	436
SL_MTB675016		16"	450
SL_MTB675024		24"	461
SL_MTB675036		36"	484
SL_MTB675048		48"	510
SL_MTB775012	7 3/4"	12"	441
SL_MTB775016		16"	455
SL_MTB775024		24"	466
SL_MTB775036		36"	489
SL_MTB775048		48"	515
SL_MTB875012	8 3/4"	12"	446
SL_MTB875016		16"	460
SL_MTB875024		24"	471
SL_MTB875036		36"	494
SL_MTB875048		48"	520
SL_MTB975012	9 3/4"	12"	451
SL_MTB975016		16"	465
SL_MTB975024		24"	476
SL_MTB975036		36"	499
SL_MTB975048		48"	525
SL_MTB1075012	10 3/4"	12"	474
SL_MTB1075016		16"	488
SL_MTB1075024		24"	499
SL_MTB1075036		36"	522
SL_MTB1075048		48"	548

### NOTES FOR MTB MODELS:

1. To order an Air Actuated Top Plate replace the "SL" prefix in the Part Number with "AA" (Example: AA6MTB1075048). Add 4 lbs. to shipping weight.
2. \*Weights shown are for 6000 Series top plate. For 7000 Series add 10 lbs. For C7000 Series add 13 lbs. For H5092 Series add 42 lbs.
3. Complete assemblies with 60" and 72" of slide travel are available as special order items.
4. All the assemblies are supplied with left-side (driver's side) release. If right-side (curbside) release is required, replace the "SL" prefix in the Part Number with "SR".
5. Installation parts also available. Consult Customer Service.

# ADJUSTABLE PLATE MOUNT



**PMA**

A fixed fifth wheel is economical and strong, but it limits your hauling options. Now you can get the strength and economy of a fixed fifth wheel with the flexibility of slide increments – thanks to the new Fontaine® Plate Mount Adjustable bracket. Computer design technology empowered Fontaine® engineers to cut 30 lbs of excess weight from the PMA without sacrificing one pound of capacity. The improved design features a reinforced cast bracket with a greasless liner providing consistent lubrication for superior performance and longer service life. Brackets are welded to a 3/8" steel plate that has six bolt holes on each side. This allows the fifth wheel to be moved in two inch increments to balance your load evenly. Affordable strength and flexibility make Plate Mount Adjustable Fifth Wheels perfect for a wide range of hauling needs. Plus, the PMA is loaded with the performance features our customers really want.

- Two inch adjustment increments give you greater versatility for improved payload distribution
- New greasless bracket liner gives you consistent lubrication, reduces wear (no metal-to-metal contact) and cuts maintenance costs
- Dual durometer two piece bushing for improved shock absorption and better support
- Computer designed reinforced cast bracket for lighter weight and greater strength

## Plate Mount Adjustable Fifth Wheels (PMA)

FIFTH WHEEL MODEL NUMBER	MOUNTING HEIGHT	6000 WEIGHT*
SL_PMA6250	6 1/4"	305
SL_PMA7250	7 1/4"	311
SL_PMA8250	8 1/4"	317
SL_PMA9250	9 1/4"	324

### NOTES FOR PMA MODELS:

1. To order an Air Actuated Top Plate replace the "SL" prefix in the Part Number with "AA" (Example: AA6PMA9250). Add 4 lbs. to shipping weight.
2. \*Weights shown are for 6000 Series top plate. For 7000 Series add 10 lbs. For C7000 Series add 13 lbs. For H5092 Series add 42 lbs.
3. Outboard angles are available in 37" length with 18" adjustment, 43" length with 24" adjustment, and 55" length with 36" adjustment. Outboard angles must be ordered separately.
4. All the assemblies are supplied with left-side (driver's side) release. If right-side (curbside) release is required, replace the "SL" prefix in the Part Number with "SR".
5. Installation parts also available. Consult Customer Service.



#### 6000 SERIES

50,000 lbs vertical load  
150,000 lbs drawbar pull  
To order insert "6" Example:  
SL6PMA9250



#### 7000 SERIES

55,000 lbs vertical load  
150,000 lbs drawbar pull  
To order insert "7" Example:  
SL7PMA9250



#### C7000 SERIES

55,000 lbs vertical load  
150,000 lbs drawbar pull  
To order insert "C" Example:  
SLCPMA9250



#### H5092 SERIES

62,500 lbs vertical load  
150,000 lbs drawbar pull  
To order insert "H" Example:  
SLHPMA9250



# STATIONARY MOUNT



**A36**

When weight and cost are prime considerations Fontaine® Stationary Mount Fifth Wheels are ready for service. These safe, strong, low weight models are recommended for applications where axle weight, bridge length and kingpin settings remain constant. The A36 is available in models to fit 34" and 33.5" frame widths.

## Stationary Angle Mount Fifth Wheels (A36)

FIFTH WHEEL MODEL NUMBER	MOUNTING HEIGHT	FRAME WIDTH	6000 WEIGHT*
SL_A365750E SL_A365750L	5 3/4"	34" 33.5"	308
SL_A366250E SL_A366250L	6 1/4"	34" 33.5"	312
SL_A367250E SL_A367250L	7 1/4"	34" 33.5"	316
SL_A368250E SL_A368250L	8 1/4"	34" 33.5"	320
SL_A369250E SL_A369250L	9 1/4"	34" 33.5"	324
SL_A3610250E SL_A3610250L	10 1/4"	34" 33.5"	342



### 6000 SERIES

50,000 lbs vertical load  
150,000 lbs drawbar pull  
To order insert "6" Example:  
SL**6**A3610250L



### 7000 SERIES

55,000 lbs vertical load  
150,000 lbs drawbar pull  
To order insert "7" Example:  
SL**7**A3610250L



### C7000 SERIES

55,000 lbs vertical load  
150,000 lbs drawbar pull  
To order insert "C" Example:  
SL**C**A3610250L



### H5092 SERIES

62,500 lbs vertical load  
150,000 lbs drawbar pull  
To order insert "H" Example:  
SL**H**A3610250L

### NOTES FOR A36 MODELS:

1. To order an Air Actuated Top Plate replace the "SL" prefix in the Part Number with "AA" (Example: AA6A3610250L). Add 4 lbs. to shipping weight.
2. \*Weights shown are for 6000 Series top plate. For 7000 Series add 10 lbs. For C7000 Series add 13 lbs. For H5092 Series add 42 lbs.
3. All the assemblies are supplied with left-side (driver's side) release. If right-side (curbside) release is required, replace the "SL" prefix in the Part Number with "SR".
4. The letter "E" at the end of A36 model numbers indicates a 34" frame width. "L" indicates a 33.5" frame width. For other available frame widths contact Customer Service.



# STATIONARY MOUNT



FMA



BSM

Like the A36, FMA and BSM fifth wheels are ideal for applications where axle weight, bridge length and kingpin settings remain constant. The BSM model is rapidly gaining in popularity. The mounting brackets are welded directly to the mounting base on your vehicle to save weight and cut costs.

## Stationary Frame Mount Fifth Wheels (FMA)

FIFTH WHEEL MODEL NUMBER	MOUNTING HEIGHT	6000 WEIGHT*
SL_FMA6375	6 3/8"	290
SL_FMA7375	7 3/8"	298
SL_FMA8375	8 3/8"	306
SL_FMA9375	9 3/8"	314
SL_FMA10375	10 3/8"	336



### 6000 SERIES

50,000 lbs vertical load  
150,000 lbs drawbar pull  
To order insert "6" Example:  
SL6BSM8875



### 7000 SERIES

55,000 lbs vertical load  
150,000 lbs drawbar pull  
To order insert "7" Example:  
SL7BSM8875



### C7000 SERIES

55,000 lbs vertical load  
150,000 lbs drawbar pull  
To order insert "C" Example:  
SLCBSM8875



### H5092 SERIES

62,500 lbs vertical load  
150,000 lbs drawbar pull  
To order insert "H" Example:  
SLHBSM8875

## Bracket Stationary Mount Fifth Wheels (BSM)

FIFTH WHEEL MODEL NUMBER	MOUNTING HEIGHT	6000 WEIGHT*
SL_BSM5875	5 7/8"	259
SL_BSM6875	6 7/8"	265
SL_BSM7875	7 7/8"	271
SL_BSM8875	8 7/8"	273
SL_BSM9875	9 7/8"	305

### NOTES FOR FMA & BSM MODELS:

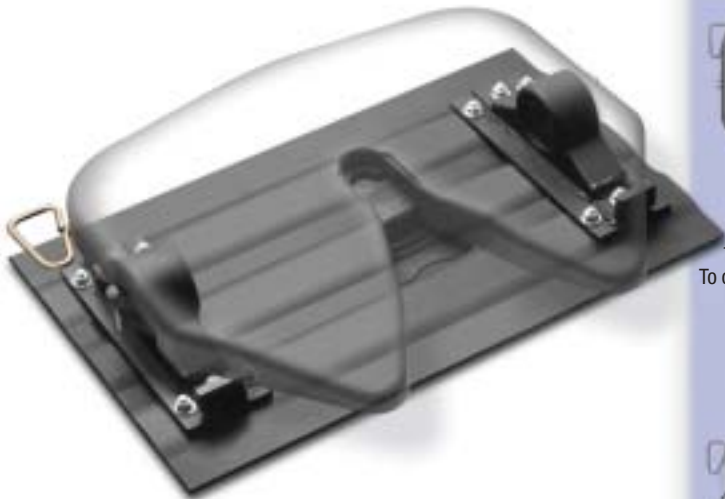
- To order an Air Actuated Top Plate replace the "SL" prefix in the Part Number with "AA" (Example: AABSM8875). Add 4 lbs. to shipping weight.
- \*Weights shown are for 6000 Series top plate. For 7000 Series add 10 lbs. For C7000 Series add 13 lbs. For H5092 Series add 42 lbs.
- All the assemblies are supplied with left-side (driver's side) release. If right-side (curbside) release is required, replace the "SL" prefix in the Part Number with "SR".



# STATIONARY PLATE MOUNT



PLA



PSA

If you need the strength and durability of a flat plate fifth wheel, Fontaine® is ready for service offering customers a choice of long or short models. Both models feature a corrugated design that provides greater strength. PLA and PSA models are constructed to give you the performance and durability your business has grown to expect from Fontaine®.

## Stationary Long Plate Mount Fifth Wheels (PLA)

FIFTH WHEEL MODEL NUMBER	MOUNTING HEIGHT	6000 WEIGHT*
SL_PLA7125	7 1/8"	418
SL_PLA8125	8 1/8"	422
SL_PLA9125	9 1/8"	426
SL_PLA10125	10 1/8"	444
SL_PLA11125	11 1/8"	448

## Stationary Short Plate Mount Fifth Wheels (PSA)

FIFTH WHEEL MODEL NUMBER	MOUNTING HEIGHT	6000 WEIGHT*
SL_PSA7125	7 1/8"	374
SL_PSA8125	8 1/8"	378
SL_PSA9125	9 1/8"	382
SL_PSA10125	10 1/8"	400
SL_PSA11125	11 1/8"	404



### 6000 SERIES

50,000 lbs vertical load  
150,000 lbs drawbar pull  
To order insert "6" Example:  
SL6PSA11125



### 7000 SERIES

55,000 lbs vertical load  
150,000 lbs drawbar pull  
To order insert "7" Example:  
SL7PSA11125



### C7000 SERIES

55,000 lbs vertical load  
150,000 lbs drawbar pull  
To order insert "C" Example:  
SLCPSA11125

### NOTES FOR PLA & PSA MODELS:

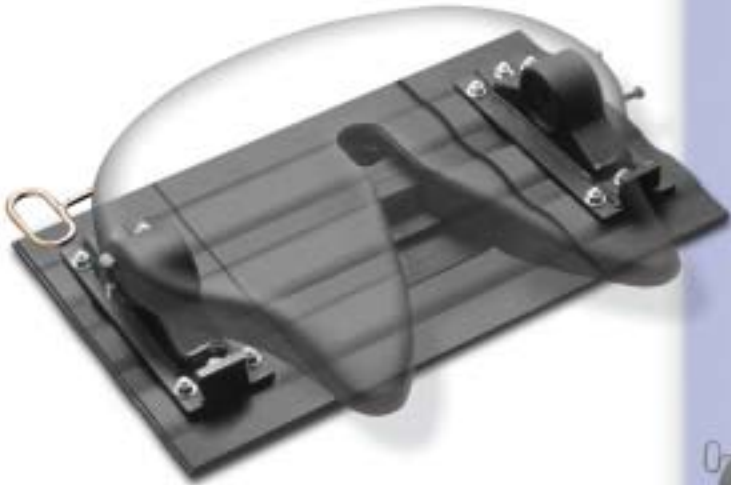
1. To order an Air Actuated Top Plate replace the "SL" prefix in the Part Number with "AA" (Example: AAPSA11125). Add 4 lbs. to shipping weight.
2. \*Weights shown are for 6000 Series top plate. For 7000 Series add 10 lbs. For C7000 Series add 13 lbs.
3. All the assemblies are supplied with left-side (driver's side) release. If right-side (curbside) release is required, replace the "SL" prefix in the Part Number with "SR".



# REINFORCED STATIONARY PLATE MOUNT



HPLA/XPLA



HPSA/XPSA

When you're hauling really heavy loads, Fontaine® Reinforced Stationary Plate Mounts give you the extra strength you need. The corrugated design features additional structural steel reinforcement to provide greater security. The HPSA and XPSA are the perfect choice for heavy loads and severe service applications.

## Heavy Duty Stationary Long Plate Mount Fifth Wheels (HPLA)

FIFTH WHEEL MODEL NUMBER	MOUNTING HEIGHT	TOTAL WEIGHT
SLHPLA7375	7 3/8"	540
SLHPLA8375	8 3/8"	544
SLHPLA9375	9 3/8"	548
SLHPLA10375	10 3/8"	566
SLHPLA11375	11 3/8"	570

## Extra Heavy Duty Stationary Long Plate Mount Fifth Wheels (XPLA)

FIFTH WHEEL MODEL NUMBER	MOUNTING HEIGHT	TOTAL WEIGHT
SLXPLA9125	9 1/8"	639
SLXPLA10125	10 1/8"	640
SLXPLA11125	11 1/8"	653
SLXPLA12125	12 1/8"	660

## Heavy Duty Stationary Short Plate Mount Fifth Wheels (HPSA)

FIFTH WHEEL MODEL NUMBER	MOUNTING HEIGHT	TOTAL WEIGHT
SLHPSA7375	7 3/8"	474
SLHPSA8375	8 3/8"	478
SLHPSA9375	9 3/8"	482
SLHPSA10375	10 3/8"	500
SLHPSA11375	11 3/8"	508

## Extra Heavy Duty Stationary Short Plate Mount Fifth Wheels (XPSA)

FIFTH WHEEL MODEL NUMBER	MOUNTING HEIGHT	TOTAL WEIGHT
SLXPSA9125	9 1/8"	559
SLXPSA10125	10 1/8"	565
SLXPSA11125	11 1/8"	573
SLXPSA12125	12 1/8"	580



**H5092 SERIES**  
62,500 lbs vertical load  
150,000 lbs drawbar pull



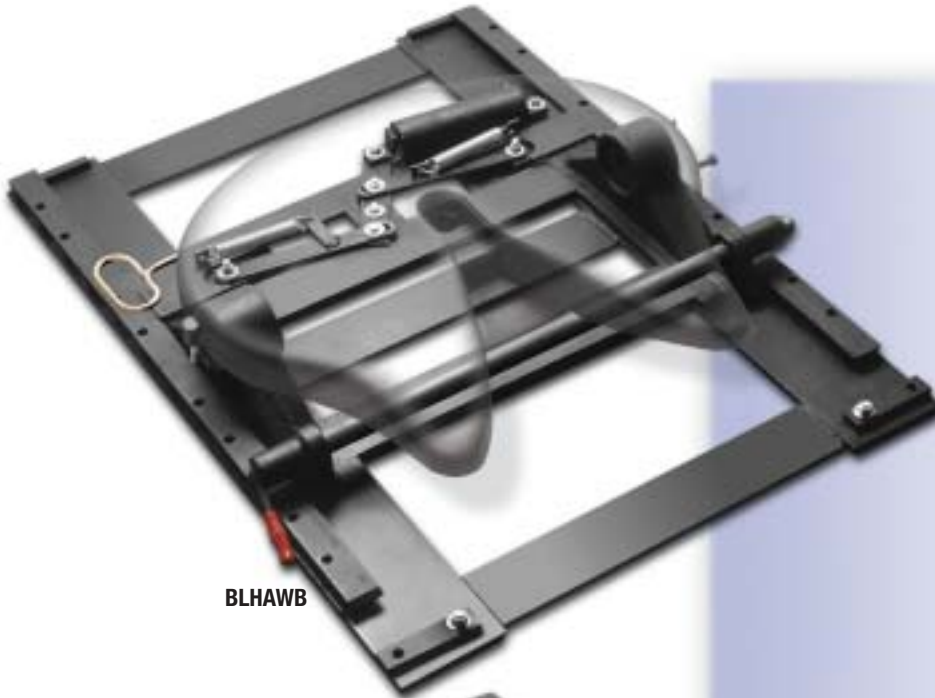
**X5092 SERIES**  
75,000 lbs vertical load  
200,000 lbs drawbar pull

### NOTES FOR HPLA, XPLA & HPSA, XPSA:

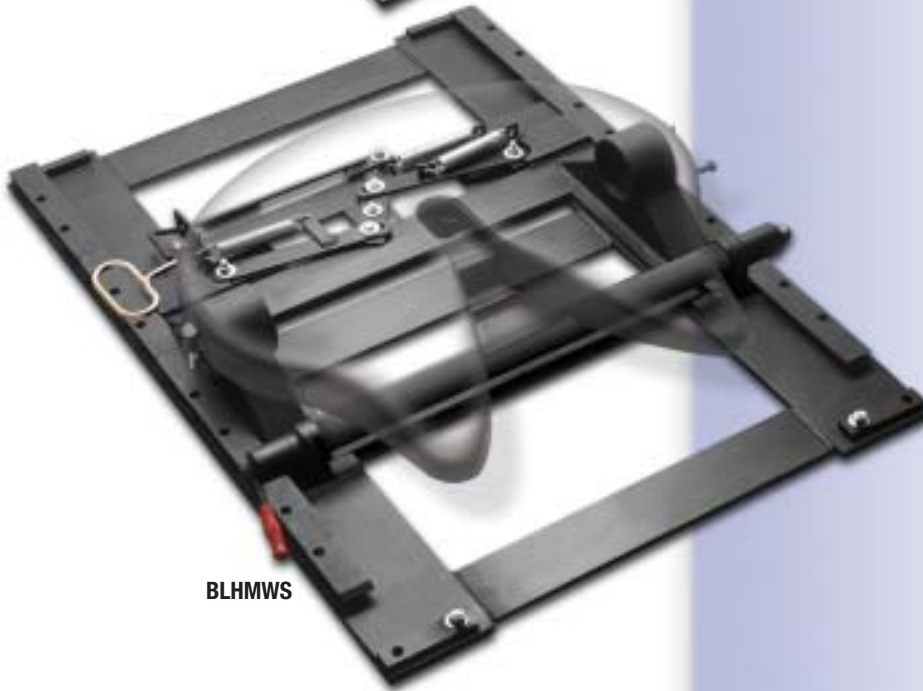
- To order an Air Actuated Top Plate for H5092 Series, replace the "SL" prefix in the Part Number with "AA" (Example: AAHPSA11375). Add 4 lbs. to shipping weight.  
NOTE: Air activated top plate not available for X5092 Series.
- All the assemblies are supplied with left-side (driver's side) release. If right-side (curbside) release is required, replace the "SL" prefix in the Part Number with "SR".



# BLOCKED AIR & MANUAL SLIDE



**BLHAWB**



**BLHMWS**

The Fontaine® Blocked Heavy Duty Air Slide and Manual Slide fifth wheels give you tremendous flexibility. You can use them in standard heavy duty applications or as non-rocking fifth wheels in frameless dump applications. You get all the versatility you'll ever need with the strength and safety you demand.



**H5092 SERIES**

62,500 lbs vertical load  
150,000 lbs drawbar pull

## Blocked Air Slide Fifth Wheels (BLHAWB)

FIFTH WHEEL MODEL NUMBER	MOUNTING HEIGHT	SLIDE TRAVEL	TOTAL WEIGHT
BLHAWB875012	8 3/4"	12"	579
BLHAWB875024		24"	599
BLHAWB875036		36"	619
BLHAWB875048		48"	648
BLHAWB975012	9 3/4"	12"	585
BLHAWB975024		24"	605
BLHAWB975036		36"	625
BLHAWB975048		48"	654
BLHAWB1075012	10 3/4"	12"	605
BLHAWB1075024		24"	625
BLHAWB1075036		36"	645
BLHAWB1075048		48"	674

## Blocked Manual Slide Fifth Wheels (BLHMWS)

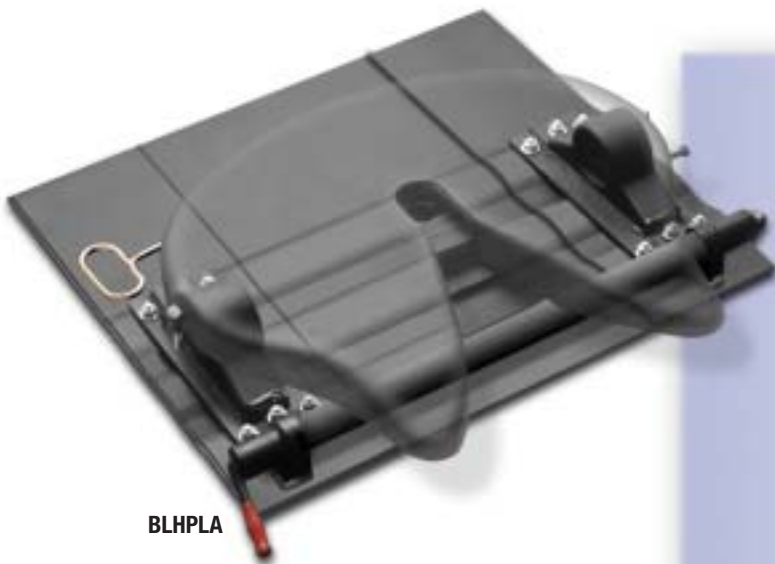
FIFTH WHEEL MODEL NUMBER	MOUNTING HEIGHT	SLIDE TRAVEL	TOTAL WEIGHT
BLHMWS875012	8 3/4"	12"	575
BLHMWS875024		24"	595
BLHMWS875036		36"	615
BLHMWS875048		48"	644
BLHMWS975012	9 3/4"	12"	581
BLHMWS975024		24"	601
BLHMWS975036		36"	621
BLHMWS975048		48"	650
BLHMWS1075012	10 3/4"	12"	601
BLHMWS1075024		24"	621
BLHMWS1075036		36"	641
BLHMWS1075048		48"	670

### NOTES FOR BLHAWB & BLHMWS:

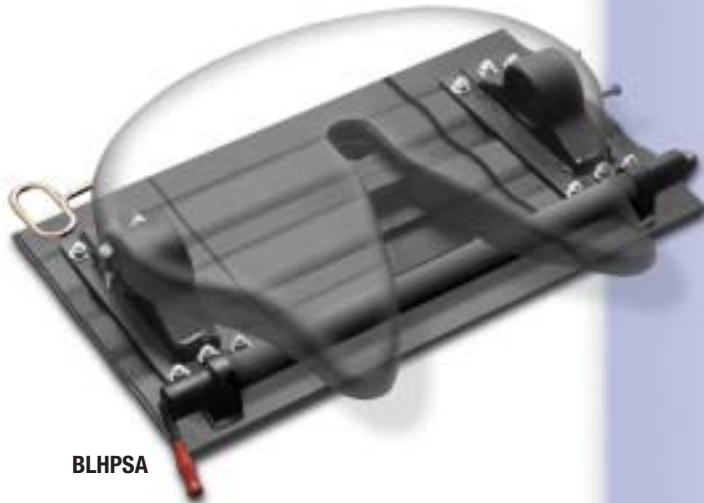
1. Complete assemblies with 60" and 72" of slide travel are available as special order items.
2. The "L" in the part number indicates left side (driver's side) release only.
3. Installation parts also available, but slide brackets are specially modified and not sold separately. Contact Customer Service for assistance.



# BLOCKED LONG & SHORT PLATE



BLHPLA



BLHPSA

Fontaine® Blocked Long and Short Plate Fifth Wheels give you extra strength for greater security. The corrugated mounting plate features additional structural steel reinforcement to handle heavier loads and severe service applications. With the locking handle in place the top plate will not rock making the BLHPLA and the BLHPSA ideal for frameless dump applications. Remove the locking handle and the top plate transforms into a normal functioning, rocking fifth wheel.

## Blocked Long Plate Fifth Wheels (BLHPLA)

FIFTH WHEEL MODEL NUMBER	MOUNTING HEIGHT	TOTAL WEIGHT
BLHPLA8375	8 <sup>3</sup> / <sub>8</sub> "	544
BLHPLA9375	9 <sup>3</sup> / <sub>8</sub> "	548
BLHPLA10375	10 <sup>3</sup> / <sub>8</sub> "	566

### NOTES FOR BLHPLA MODELS:

1. All the assemblies are supplied with left-side (driver's side) release. The "L" in the part number indicates left side (driver's side) release. Blocked models are not available with a right-side release.
2. Top plates, mounting brackets and mounting plates are not sold separately for Blocked models. Contact Customer Service for assistance.

## Blocked Short Plate Fifth Wheels (BLHPSA)

FIFTH WHEEL MODEL NUMBER	MOUNTING HEIGHT	TOTAL WEIGHT
BLHPSA8375	8 <sup>3</sup> / <sub>8</sub> "	520
BLHPSA9375	9 <sup>3</sup> / <sub>8</sub> "	524
BLHPSA10375	10 <sup>3</sup> / <sub>8</sub> "	542

### NOTES FOR BLHPSA MODELS:

1. All the assemblies are supplied with left-side (driver's side) release. The "L" in the part number indicates left side (driver's side) release. Blocked models are not available with a right-side release.
2. Top plates, mounting brackets and mounting plates are not sold separately for Blocked models. Contact Customer Service for assistance.



**H5092 SERIES**  
62,500 lbs vertical load  
150,000 lbs drawbar pull



# You just can't beat The System!

## The Fontaine® TechLock® System

### No-Slack® II (7000 Series)

55,000 lbs. Vertical Load  
150,000 lbs. Drawbar Pull

### No-Slack® II (6000 Series)

50,000 lbs. Vertical Load  
150,000 lbs. Drawbar Pull

### No-Slack® (H5092 Series)

62,500 lbs. Vertical Load  
150,000 lbs. Drawbar Pull

### No-Slack® (X5092 Series)

75,000 lbs. Vertical Load  
200,000 lbs. Drawbar Pull



7000

C7000

Page 3



Page 3



Page 3



Page 3

### Air Wedge Slide Bracket

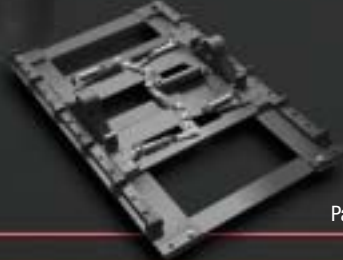
**Model 7ATB** (7000 Top plate)  
**Model 6ATB** (6000 Top plate)  
**Model HATB** (H5092 Top plate)



Page 4

### Xtra™ Heavy Duty Air Wedge Slide

**Model XAWX** (X5092 Top plate)



Page 5

### Manual Wedge Slide Bracket

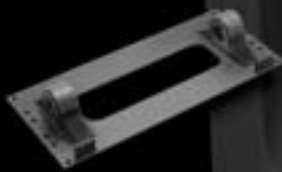
**Model 7MTB** (7000 Top plate)  
**Model 6MTB** (6000 Top plate)  
**Model HMTB** (H5092 Top plate)



Page 6

### Adjustable Plate Mount

**Model 7PMA** (7000 Top plate)  
**Model 6PMA** (6000 Top plate)  
**Model HPMA** (H5092 Top plate)



Page 7

### Stationary Angle Mount

**Model 7A36** (7000 Top plate)  
**Model 6A36** (6000 Top plate)  
**Model HA36** (H5092 Top plate)



Page 8

### Stationary Frame Mount

**Model 7FMA** (7000 Top plate)  
**Model 6FMA** (6000 Top plate)  
**Model HFMA** (H5092 Top plate)



Page 9

### Bracket Stationary Mount

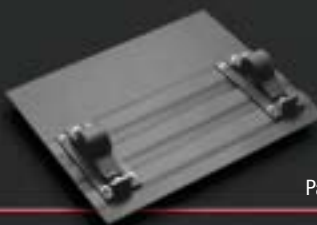
**Model 7BSM** (7000 Top plate)  
**Model 6BSM** (6000 Top plate)  
**Model HBSM** (H5092 Top plate)



Page 9

### Stationary Long Plate Mount

**Model 7PLA** (7000 Top plate)  
**Model 6PLA** (6000 Top plate)



Page 10

### Stationary Short Plate Mount

**Model 7PSA** (7000 Top plate)  
**Model 6PSA** (6000 Top plate)

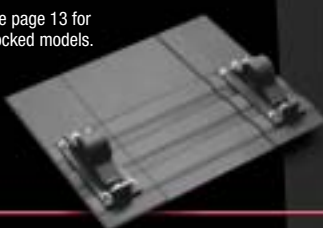


Page 10

### Reinforced Stationary Long Plate

**Model HPLA** (H5092 Top plate)  
**Model XPLA** (X5092 Top plate)

See page 13 for blocked models.



Page 11

### Reinforced Stationary Short Plate

**Model HPSA** (H5092 Top plate)  
**Model XPSA** (X5092 Top plate)

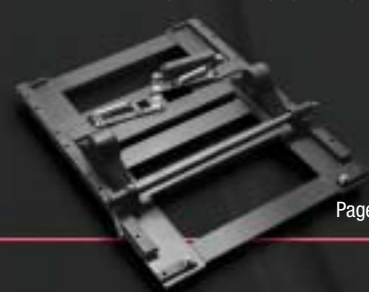
See page 13 for blocked models.



Page 11

### Heavy Duty Blocked Air/Manual Slide

**Model BLHAWB** (H5092 Top plate)



Page 12



Fontaine International

World Wide Headquarters • 5000 Grantswood Road • Suite 200 • Irondale, Alabama 35210 • 800-874-9780 • Fax 205-421-4400

[www.fifthwheel.com](http://www.fifthwheel.com)

©2004 FONTAINE INTERNATIONAL • LT-044 7.5M November 2004