

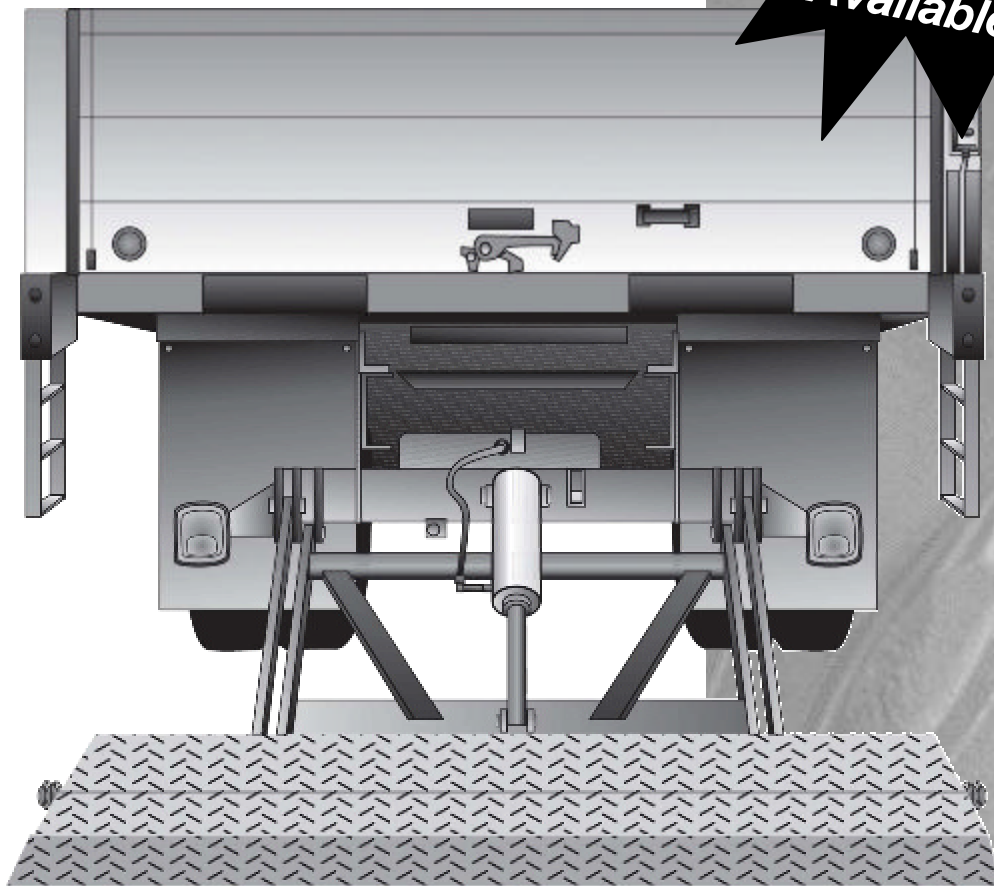
## Model LH

LH 1850	LHR 2500
LH 2500	LHR 3500
LH 3000	LLB 1850
LH 3500	LLB 2500

## HIDE-A-WAY™

### Heavy Duty Tuckunder Style

*Wedge  
Platform  
Available!*



## Model LH/LHR/LLB

### Standard Features

- Greaseless bushings
- Manual transit lock
- Chrome plated pins
- Pressure compensated flow control
- 1/2" steel dock bumpers
- Driver steps
- Spring assisted opening and closing
- Low P.S.I. due to larger cylinder surface
- Steel cabinet for motor and pump
- Adapter frame will accommodate trailer installations
- Marine toggle switch (no linkage)
- Heavy duty platform extension designed to accommodate forklift usage
- Units come completely pre-assembled
- Lifting arms 1" solid steel with cross bracing
- Designed for usage with walk ramp
- Power line 35' "2" gauge

### Optional Features

- I.C.C. bumper is D.O.T. certified
- Recharge line for trailers
- Heavy duty steps
- Cut off switch
- Circuit breaker (150 amp)
- Rubber dock bumper

### Standard Specifications

#### LH 1850, 2500, 3000, and 3500

**Capacity:** 1850, 2500, 3000, 3500 lbs.

**Platform**

**Size:** 80" wide x 38" deep + 5" taper  
80" wide x 45" deep (wedge)

**Floor**

**Heights:** 42" - 56"

#### LHR 2500 and 3500

**Capacity:** 2500 and 3500 lbs.

**Platform**

**Size:** 80" wide x 40" deep + 8" retention

**Floor**

**Heights:** 42" - 56"

#### LLB1850 and 2500 (Low Floor Applications)

**Capacity:** 1850 and 2500 lbs.

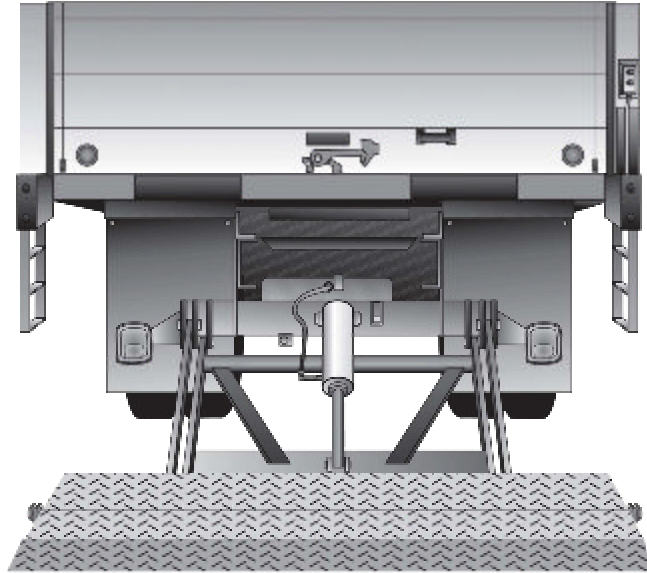
**Platform**

**Size:** 80" wide x 29" deep + 7" taper  
80" wide x 35" deep (wedge)

**Floor**

**Heights:** 36" - 56"

# HIDE-A-WAY™



*Lowered Position*



*Over the Road Position*

**LEYMAN**  **LIFT GATES**

10900 Kenwood Road • Cincinnati, OH 45242

Phone: 513.891.6210 • Fax: 513.891.4901

[www.leymanlift.com](http://www.leymanlift.com)

[sales@leymanlift.com](mailto:sales@leymanlift.com)

LML00025-6/06