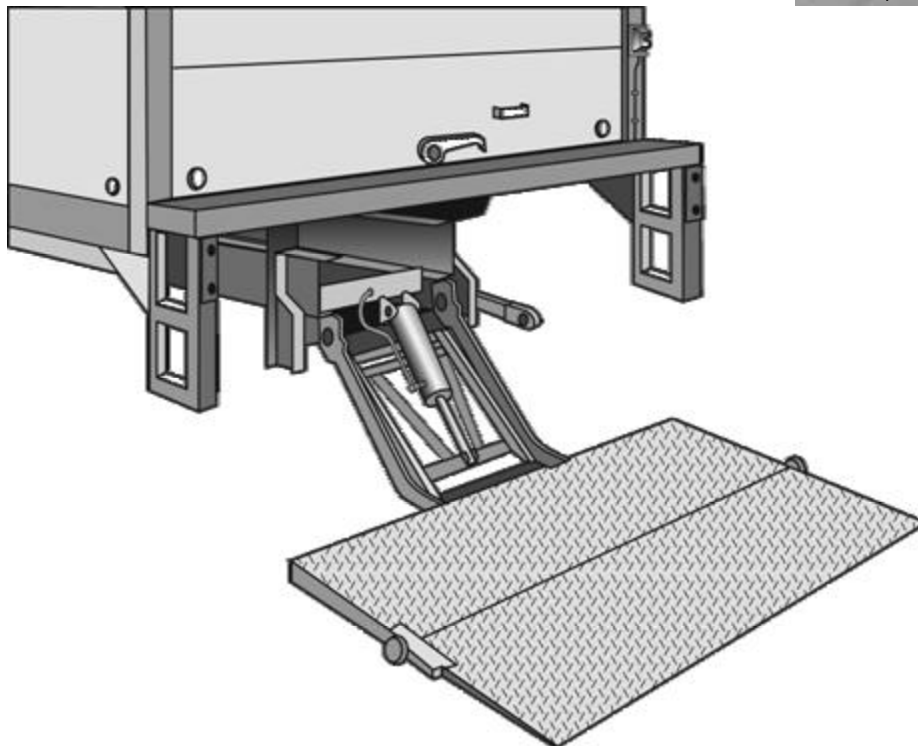


LEYMAN  **LIFT
GATES**

Model SLP
SLP 2500W
SLP 2500WLB
SLP 3500W

HIDE-A-WAY™

**Heavy Duty Large Platform
Wedge Style**



LEYMAN  **LIFT
GATES**

10900 Kenwood Road • Cincinnati, OH 45242

Phone: 513.891.6210 • Fax: 513.891.4901

www.leymanlift.com

sales@leymanlift.com

Model SLP

Standard Features

- Greaseless bushings
- Manual transit lock
- Chrome plated pins
- Pressure compensated flow control
- Twin spring assist opening and closing secondary and primary platform
- Low P.S.I. due to larger cylinder surface
- Steel cabinet for motor and pump
- Marine toggle switch (no linkage)
- Heavy duty steel floor extension
- Units come completely assembled
- Lifting arms 1" solid steel with cross bracing
- Designed for usage with walk ramp
- Power line 35' "2" gauge

Optional Features

- I.C.C. bumper is D.O.T. certified
- Recharge line for trailers
- Circuit breaker (150 amp)
- Heavy duty steps
- Cut off switch
- Rubber dock bumper

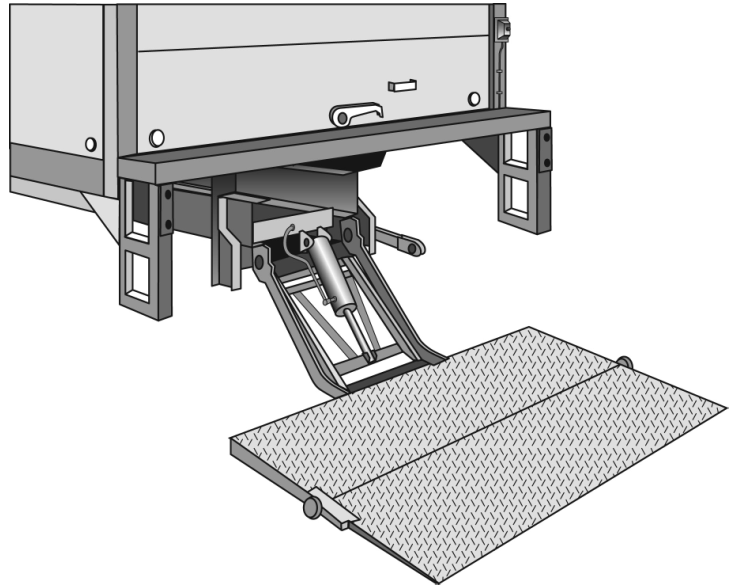
Standard Specifications

	SLP 2500W
Capacity:	2500 lbs.
Platform Size:	80" wide x 52" deep (wedge)
Floor Heights:	44" - 56"

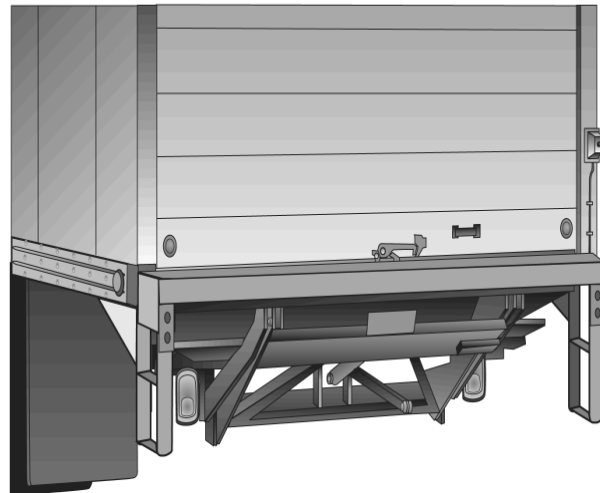
	SLP 2500WLB (Low Floor Applications)
Capacity:	2500 lbs.
Platform Size:	80" wide x 50" deep (wedge)
Floor Heights:	36" - 44"

	SLP 3500W
Capacity:	3500 lbs.
Platform Size:	80" wide x 52" deep (wedge)
Floor Heights:	46" - 56"

HIDE-A-WAY™



Lowered Position



Over the Road Position

LEYMAN  **LIFT GATES**

10900 Kenwood Road • Cincinnati, OH 45242

Phone: 513.891.6210 • Fax: 513.891.4901

www.leymanlift.com

sales@leymanlift.com

LML00025-5/07