


**LEYMAN**  **LIFT  
GATES®**

**Model STG**  
**STG 2100**  
**STG 2101**

**HIDE-A-WAY™**

**Straight Truck Side  
Door Lift Gate**



**LEYMAN**  **LIFT  
GATES®**

10900 Kenwood Road • Cincinnati, OH 45242

Phone: 513.891.6210 • Fax: 513.891.4901

[www.leymanlift.com](http://www.leymanlift.com)

[sales@leymanlift.com](mailto:sales@leymanlift.com)

# HIDE-A-WAY™

## Model STG

### Standard Features

- Maintenance Minder<sup>2</sup>™ Power Unit
- Automatic safety lock in operating position
- Lifting arms are mounted to the center of the platform for a level ride platform
- Two hydraulic cylinders perform the lifting
- Power in and out
- 12 volt D.C. power supply
- Marine toggle switch operation
- Bronze bushings and grease fittings
- Power pack enclosure - holds pump, motor, and has room for (2) batteries
- Stainless steel chain for power in and out

### Optional Features

- Power line - 15' long "0" gauge
- Circuit breaker for pump motor
- Emergency hand pump
- Hand held remote control
- Mud flap

### Standard Specifications

**Capacity:** 2000 lbs.

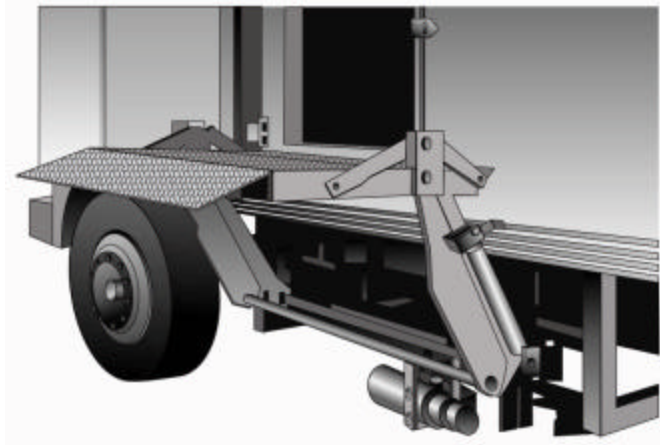
**Weight:** 800 - 850 lbs.  
(approx.)

#### Platform

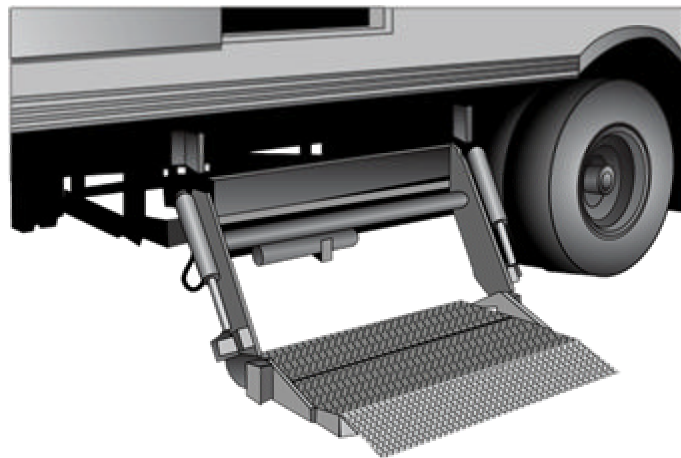
**Size:** 48" wide x 28" deep + 6" taper  
72" wide x 28" deep + 9" taper

#### Floor

**Heights:** 39" - 56"



### *Floor Level Position*



### *Operating Position*

**LEYMAN** **LIFT GATES**

10900 Kenwood Road • Cincinnati, OH 45242

Phone: 513.891.6210 • Fax: 513.891.4901

[www.leymanlift.com](http://www.leymanlift.com)

[sales@leymanlift.com](mailto:sales@leymanlift.com)

LML00035-1/07