
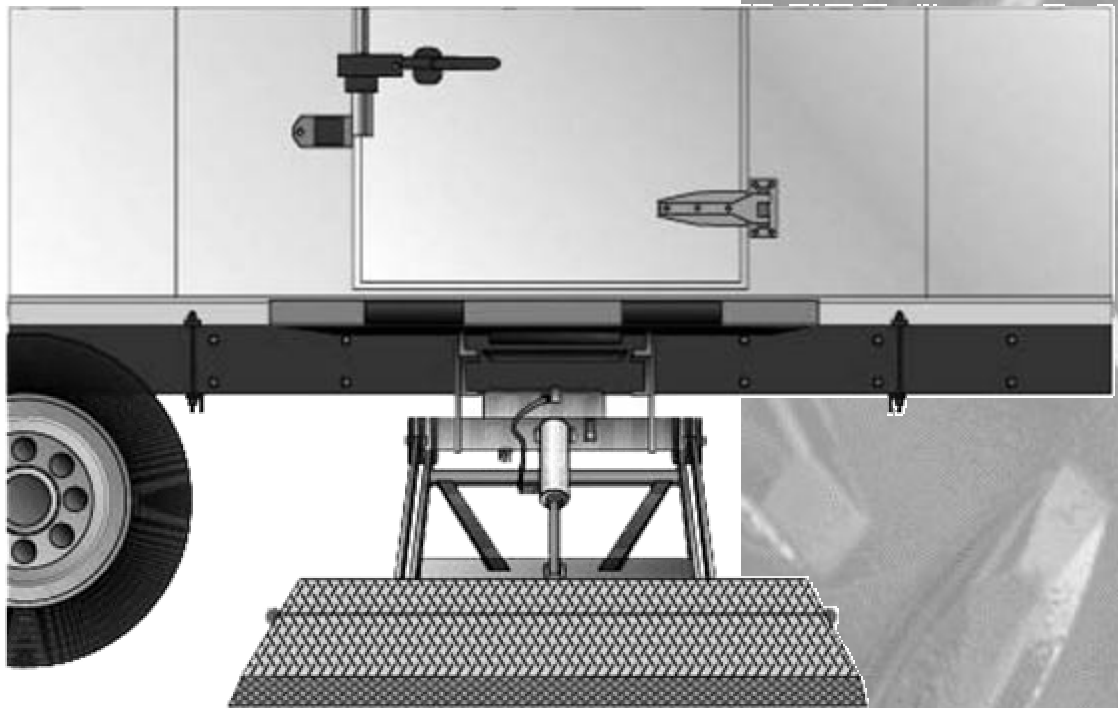


LEYMAN  **LIFT
GATES®**

Model TSG
TSG 1850LR
TSG 2500LR

HIDE-A-WAY™
Truck Side Door Lift Gate
Level Ride Platform



LEYMAN  **LIFT
GATES®**

10900 Kenwood Road • Cincinnati, OH 45242
Phone: 513.891.6210 • Fax: 513.891.4901
www.leymanlift.com
sales@leymanlift.com

HIDE-A-WAY™

Model TSG

Standard Features

- Greaseless bushings
- Manual transit lock
- Chrome plated pins
- Spring assisted opening and closing
- Marine toggle switch operation
- Power pack enclosure - holds pump and motor
- Power line 27' "2" gauge
- Level ride platform
- Gate shipped completely assembled

Optional Features

- Safety cut-off switch
- Circuit breaker for pump motor
- Drivers step
- 12" cart stops retention ramp (steel)

Standard Specifications

Capacity: 1850 and 2500 lbs.

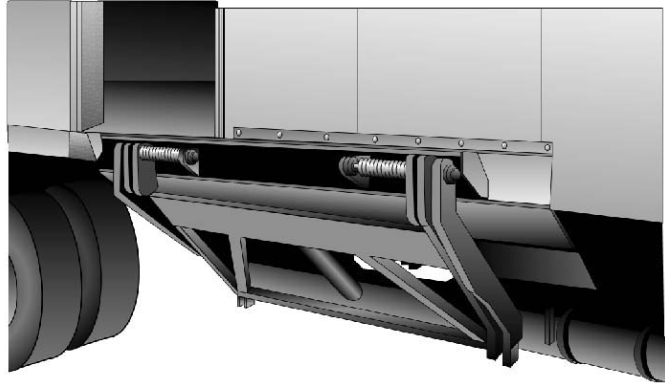
Weight: 725 - 780 lbs.
(approx.)

Platform

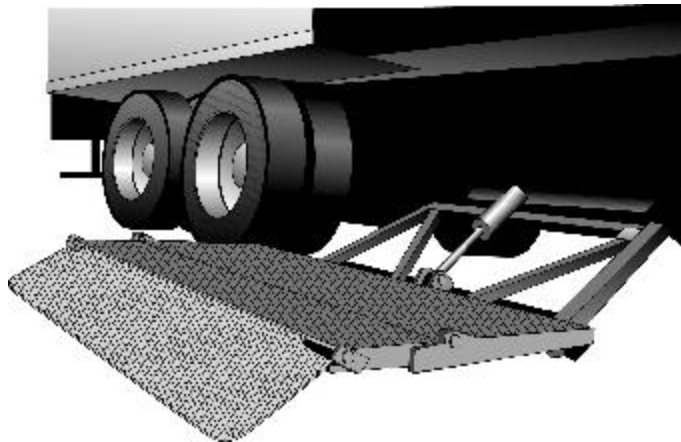
Size: 72" wide x 34" deep + butt-end
72" wide x 34" deep + 8" tapered
54" wide x 34" deep + butt-end
54" wide x 34" deep + 8" tapered

Floor

Heights: 44" - 56"



Over the Road Position



Retention Ramp Down Position

LEYMAN **LIFT GATES**

10900 Kenwood Road • Cincinnati, OH 45242

Phone: 513.891.6210 • Fax: 513.891.4901

www.leymanlift.com

sales@leymanlift.com

LML00048-12/06