

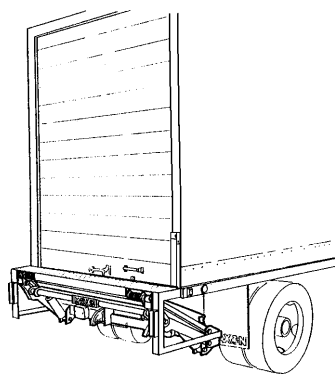


# TUK-A-WAY

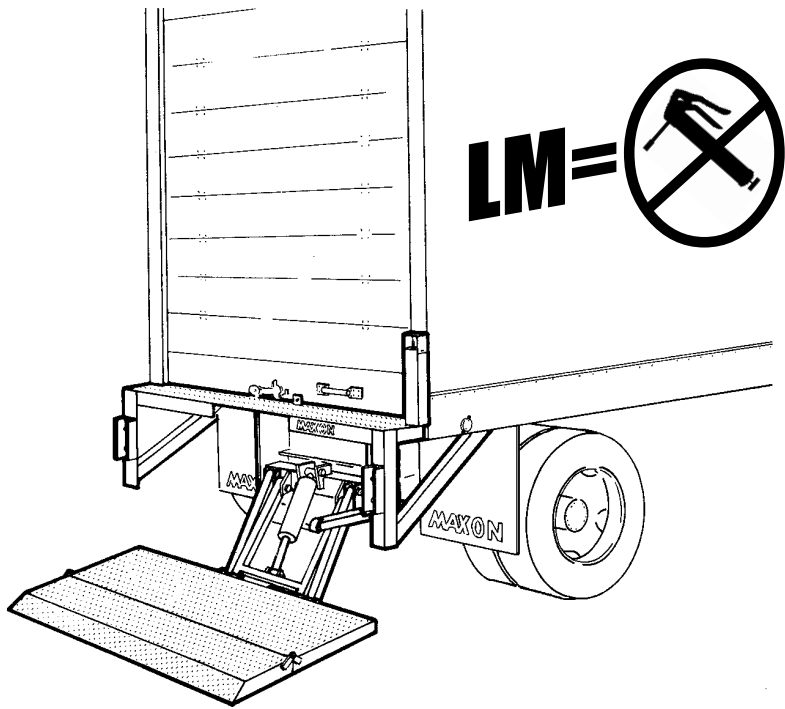
## SPECIFICATIONS

Models: 72-150LM & TE-20LM

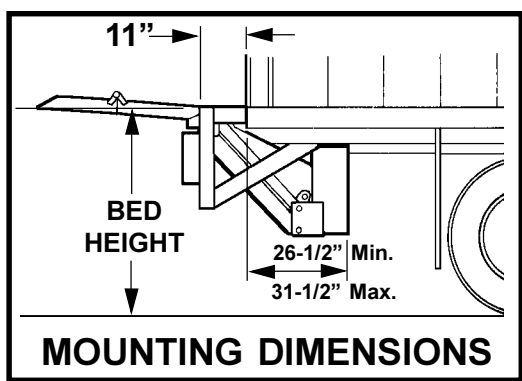
- Center Arm, Low Maintenance
- Standard Ride
- Low Bed Height Tuk-A-Way



All Tuk-A-Way liftgates have platforms that fold and stow under the body in the dock ready position.



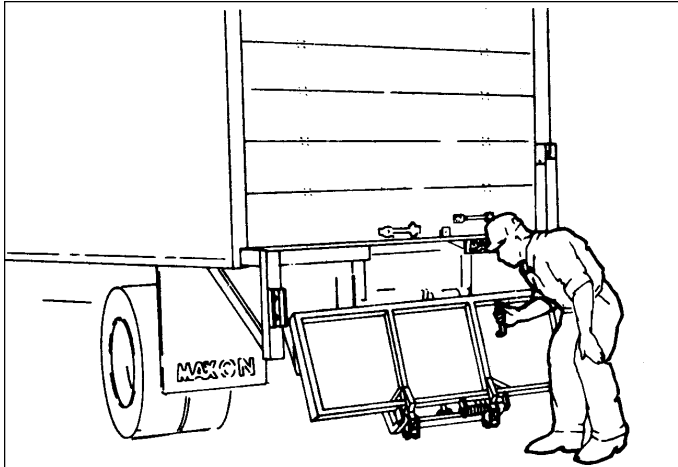
The 72-150LM & TE-20LM Center Arm Series of Tuk-A-Way liftgates are the economical choice for general purpose applications requiring 1500 lbs. to 2000 lbs. lifting capacity. The minimum laden bed height of 36" makes the 72-150LM & TE-20LM an ideal solution for low bed height applications.



MODEL (CAPACITY)	PLATFORM	RAMP	TOTAL WEIGHT	BED HEIGHT
72-150 LM (1500 LBS)	32" x 72"	4"	542 LBS	36" Min. w/Body Laden 54" Max. w/Body Unladen
	32" x 84"		567 LBS	
TE-20 LM (2000 LBS)	32" x 72"		551 LBS	
	32" x 84"		570 LBS	

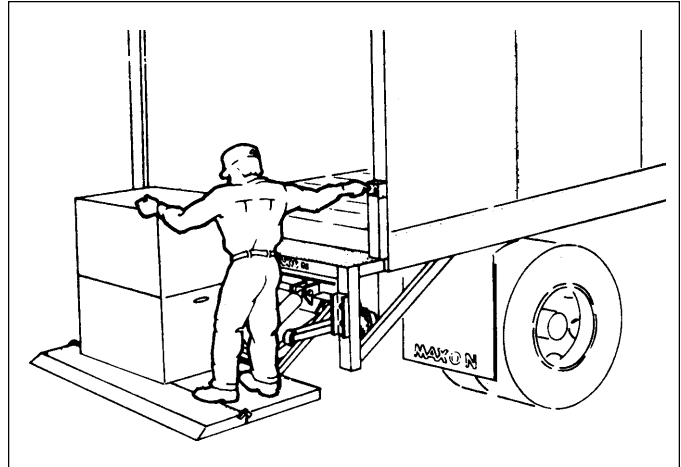
# SPECIFICATIONS

Models: 72-150LM & TE-20LM



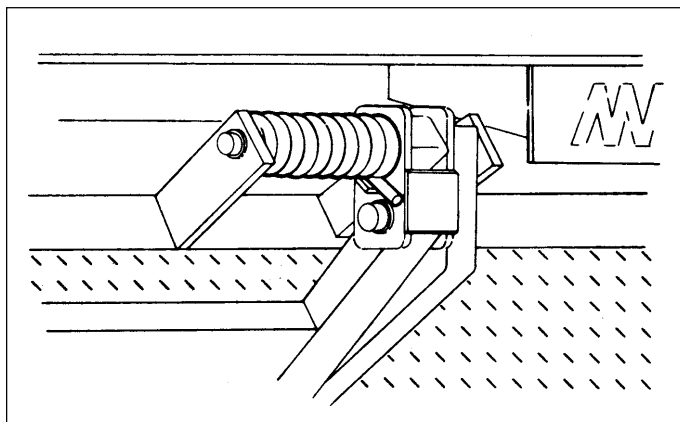
## EFFICIENT LIGHTWEIGHT DESIGN

Because of the efficient lightweight structural design and the standard Electric Control Station on the 72-150LM and the TE-20LM, minimal operator effort is required. The Electric Control Station mounted on the vehicles corner post is within easy reach while standing on the ground or while riding on the platform.



## STANDARD ELECTRIC CONTROL

## STANDARD EQUIPMENT



## DIRECT TORSION SPRING ASSIST

The MAXON design uses a direct torsion spring to assist the operator in opening the platform and flipover sections. The direct spring is factory set and is virtually maintenance free in normal use.

### ◆ SELF-LUBRICATED UNITS

New Low Maintenance LM Series™ models have self-lubricated bearings on all ten (10) load bearing plated pins, for a long grease free life.

### ◆ 2 GAUGE CABLE

For maximum operating efficiency and increased electrical component life, MAXON uses factory assembled, heavy duty 2-gauge charge line.

### ◆ SUPERIOR COATING PROCESS

MAXON's exclusive coating process has twice the corrosion resistance of paint alone. This finish is unequalled in the industry for quality and durability.

### ◆ FULL LENGTH FLIP-OVER SUPPORT

MAXON uses a full length, formed steel shell to support the flipover, eliminating the potential for buckling at the Platform/Flipover seam.

### ◆ HEAVY DUTY SUPPORTS

MAXON uses heavy duty tubing and channel under the body extension plate to prevent deflection common to gusset supported designs.

### ◆ PUMP AND MOTOR ENCLOSURE

A rust proof enclosure is standard equipment and helps to protect the pump motor from dirt and weather.

## OPTIONAL EQUIPMENT

- Heavy-Duty Dock Bumpers
- Dock Bumper Rubber Pads
- Street Side Controls
- Power Down Electric Control
- 150 Amp Circuit Breaker (No Charge Option)
- Extruded Aluminum Platform

Distributed By:

M132-0899

MAXON LIFT CORP. 11921 Slauson Ave., Santa Fe Springs, CA. 90670-2221  
(800) 227-4116, FAX: (888) 771-7713 Internet: <http://www.maxonlift.com>