

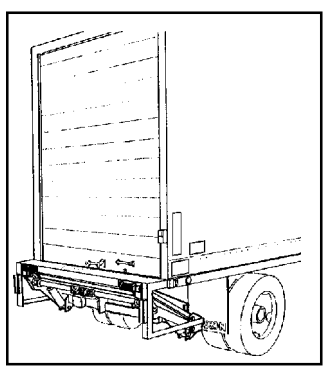


TUK-A-WAY[®]
LIFTGATE SERIES

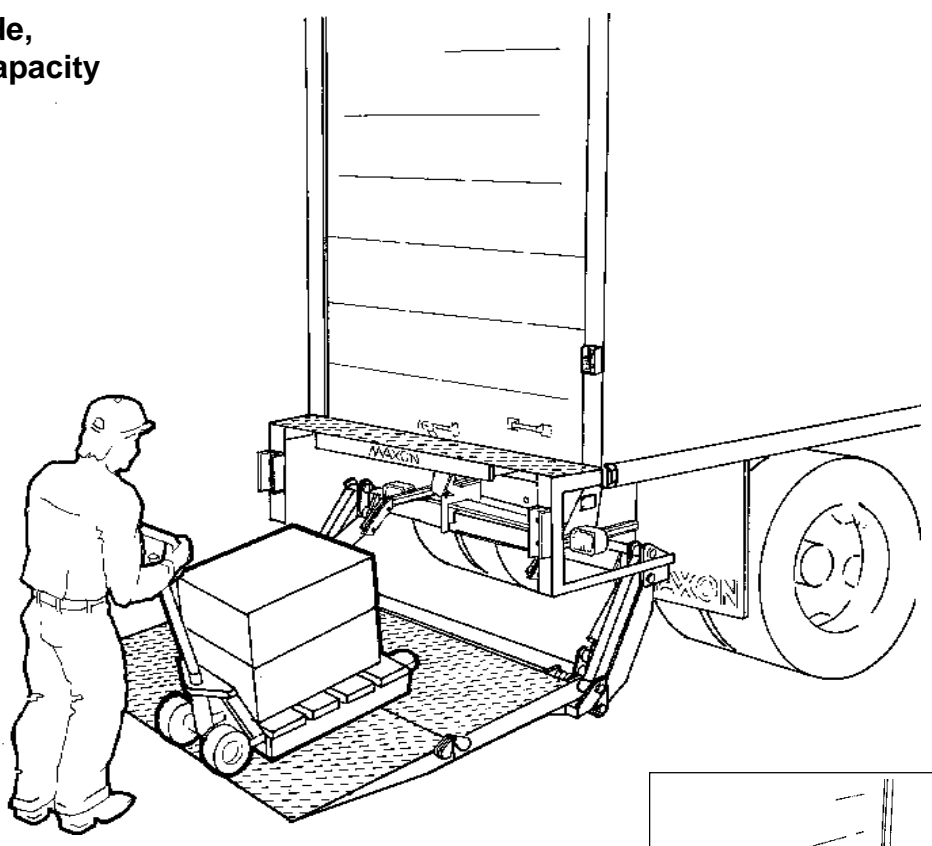
SPECIFICATIONS

MODELS: 80-3 & 80-4

TUK-A-WAY[®] LIFTGATES
Wide Arm, Standard Ride,
Large Platform, High Capacity

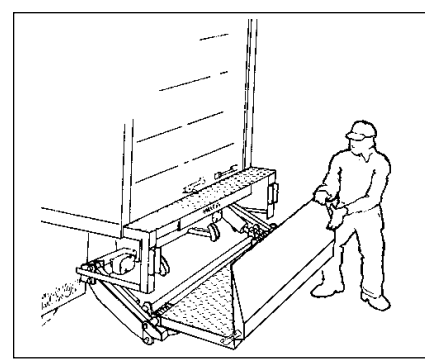


All **TUK-A-WAY**[®] liftgates have platforms that fold and stow under the body in the dock-ready position.



Steel platform is standard equipment.

The 80-Series **TUK-A-WAY**[®] is equipped with a standard torsion-assisted folding steel platform. Torsion Bar assist on the flipover and Torsion Spring assist on the Platform make folding and unfolding easier. The flipover section is tapered underneath to form a wedge, making the 50" deep platform easier to load and unload.

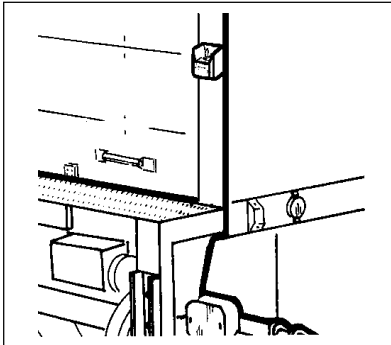


MODEL (CAPACITY)	50" x 79" PLATFORM (OVERALL WEIGHT)	BED HEIGHT	
80-3 WEDGE (3000 LBS.)	1222 LBS.	44" Laden 55" Unladen	
80-4 WEDGE (4000LBS.)			

SPECIFICATIONS

MODELS: 80-3 & 80-4

MAXIMUM PLATFORM LOAD AREA WITH MINIMUM OPERATOR EFFORT



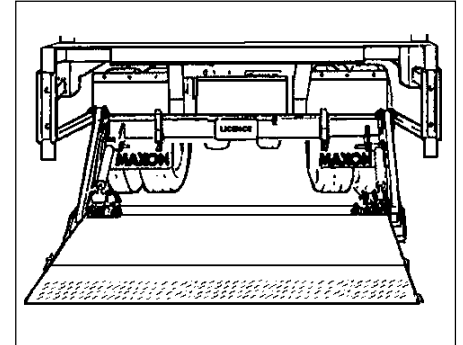
CONTROL SWITCH IS EASILY REACHED FROM GROUND OR PLATFORM

The Control Switch is standard on 80-3 and 80-4 models. It is mounted on the corner post of the body where the operator can reach it easily while standing on the ground or while riding on the platform.



LIFTGATE DESIGNED TO "CEASE THE GREASE"

All load bearing pins, including the platform hinge pins, use grease free bearings and plated pins. Periodic greasing is never needed throughout the life of the liftgate.



INSTALLATION PROTECTS TAILLIGHTS

Taillights and license plate bracket can be installed on the main frame of the liftgate or truck frame, where they are protected from road hazards and damage at loading docks. The lights and license plate remain stationary throughout lifting/lowering cycles.

STANDARD EQUIPMENT

- Gravity Down
- Toggle Switch Control (Sealed Marine)
- Steel Platform and Flipover
- Steel Pump & Motor Enclosure
- Grease Free Bearings

Distributed By:

OPTIONAL EQUIPMENT

- Power Down
- Cab Cut Off Switch
- Single Low Voltage Thermal Switch (LVTS)
- Dual Switch Control
- Underride (DOT-Certified to FMVSS 224, for Trailers)
- Bumper Kit (Rear-end Protection for Trucks)
- Heavy Duty Dock Bumpers
- Dock Bumper Rubber Pads
- Frameless Trailer Subframe Mounting
- 102" Wide Trailer Kit
- 2-Step Dock Bumper
- 150 Amp Circuit Breaker
- Hand Held Control
- Street Side Control

M107-0504

MAXON LIFT CORP. 11921 Slauson Ave., Santa Fe Springs, CA. 90670-2221
(800) 227-4116, FAX: (888) 771-7713 Internet: <http://www.maxonlift.com>