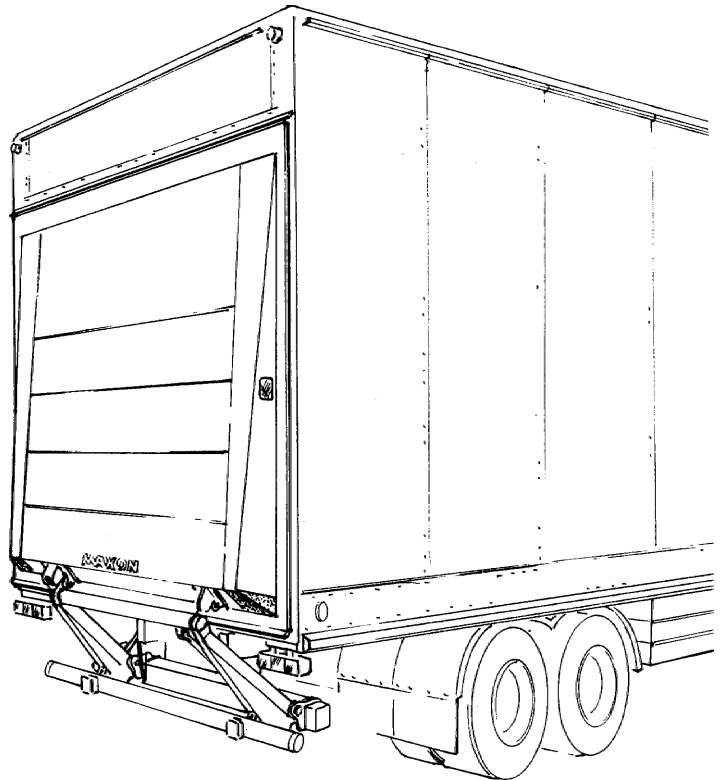
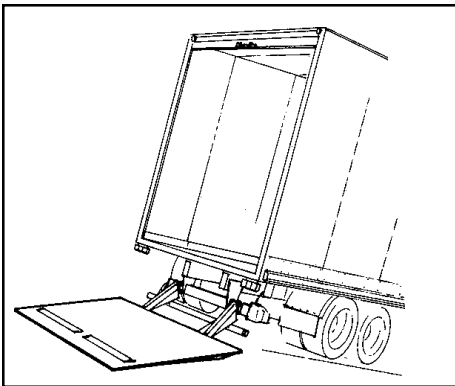
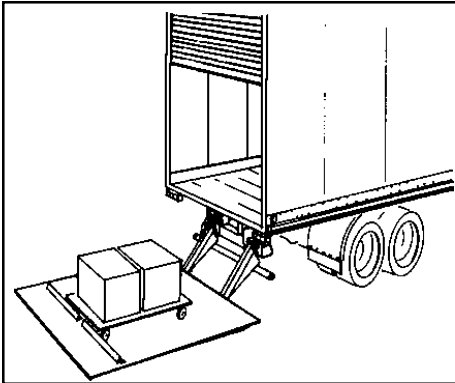




GRAND PRIX CANTILEVER™

SPECIFICATIONS

Models: GPC-33, GPC-44, GPC-55



CANTILEVER DESIGN

Leveling capability allows the operator to position the platform level to the horizon, regardless of the angle of the terrain on which the vehicle is parked.

CONICAL STEEL PLATFORM PANEL IS STANDARD

The GPC Cantilever's tapered, modern design mirrors the advanced technology that gives it maximum strength, reliability and high productivity performance. The Conical Platform is composed of formed steel profiles, robotically seam welded to give an exceptionally strong and rigid platform, yet offers a smooth, attractive surface that can be used for fleet graphics and advertising displays - a completely new look in lift gates.

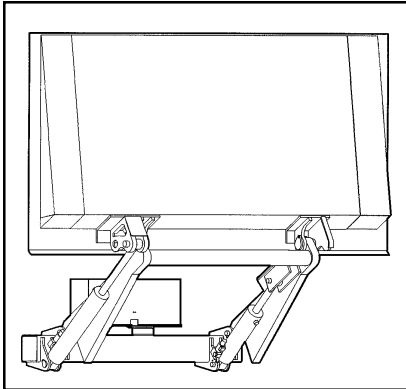
MODEL-CAPACITY	*PLATFORM LOAD AREA	RAMP	MOUNTING DIMENSIONS
GPC-33 3300 LBS.	49" x 92" 59" x 92" 71" x 92" 79" x 92"	BUILT-IN "WEDGE" TYPE	<p>*26" To 31" Varies by Capacity 33,44, or 5500 Lbs.</p> <p>*40" Laden To 59" Unladen</p>
GPC-44 4400 LBS.	59" x 92" 71" x 92"		
GPC-55 5500 LBS.	83" x 92"		

*NOTE: See Installation Manual for Specific sizes.

* OPTIONAL PLATFORMS FOR 102" WIDE VEHICLES ARE 98" WIDE.

SPECIFICATIONS

Models: GPC-33, GPC-44, GPC-55

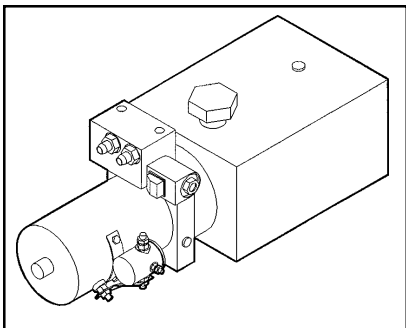


GPC-33 TWO CYLINDER DESIGN

With the GPC-33, this superior strength allows the use of two cylinders instead of four to level and close the platform.

SURSOLF OXYNITE CYLINDER RODS

Gives owner twice the protection against corrosion, and increases the resistance to pitting from impact compared to chrome plating. The result is longer cylinder life.



LOW MAINTENANCE PUMP/MOTOR

GPC Models are now standard with American made Pump and Motor assemblies to ensure reduced replacement parts cost, if needed, and local availability.

A Rust Proof

Enclosure is standard equipment, and protects the Pump/Motor from dirt and weather.

NO COSTLY CIRCUIT BOARD!

The GPC has an all solenoid electrical system for quick, easy, economical maintenance on the standard model.

POWER PLATFORM OPENING

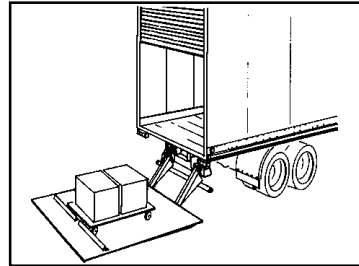
Faster, more reliable operation regardless of weather, and less maintenance than models with torsion spring platform assists.

DUAL CONTROL SECURITY DEVICES

Plug-in remote control can be removed from inside the body when not in use. Key lock prevents unauthorized use of outside control.

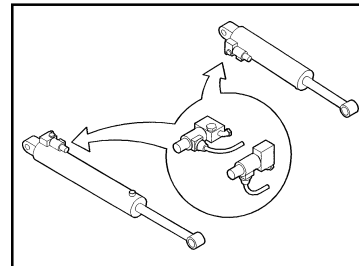
SUPERIOR LIFTING SYSTEM REDUCES HYDRAULIC MAINTENANCE COSTS.

The superior structural integrity built into the GPC lift frame reduces stress on the entire hydraulic system, decreasing maintenance costs.



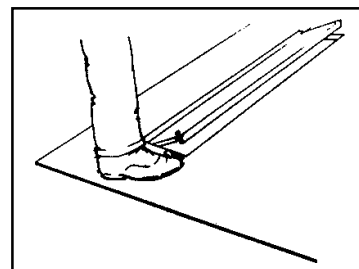
LARGER USABLE PLATFORM LOAD CARRYING AREA

While other models derate the lifting capacity when the load exceeds 44" from the body, the GPC maintains its full capacity up to 79" from the body when loads are centered on the platform.



HYDRAULIC SOLENOID PLATFORM LOCKS

Prevents the platform from tilting or lowering unless the controls are activated.



"QUICK STEP" ENGAGE/RELEASE CART STOPS

Quick, simple one-foot operation eliminates reaching and bending.

More reliable with less maintenance. It uses just one spring.

OPTIONAL EQUIPMENT

- | | |
|---|---|
| <input type="checkbox"/> Battery Pak for:
<input type="checkbox"/> Truck
<input type="checkbox"/> Trailer | <input type="checkbox"/> Dual Cart Stops |
| <input type="checkbox"/> Recessed 3-Button Foot Control on Platform (Requires Auto Platform Leveling) | <input type="checkbox"/> Flip Up Door (w/full door seal) |
| <input type="checkbox"/> Auto Platform Leveling | <input type="checkbox"/> Aluminum Platform |
| <input type="checkbox"/> Foot Controls | <input type="checkbox"/> Full Door Seal Kit |
| | <input type="checkbox"/> 98" Wide Platform for 102" Wide Bodies |

Distributed By:

M102-0498

MAXON LIFT CORP. 11921 Slauson Ave., Santa Fe Springs, CA. 90670-2221
(800) 227-4116, FAX: (888) 771-7713 Internet: <http://www.maxonlift.com>