

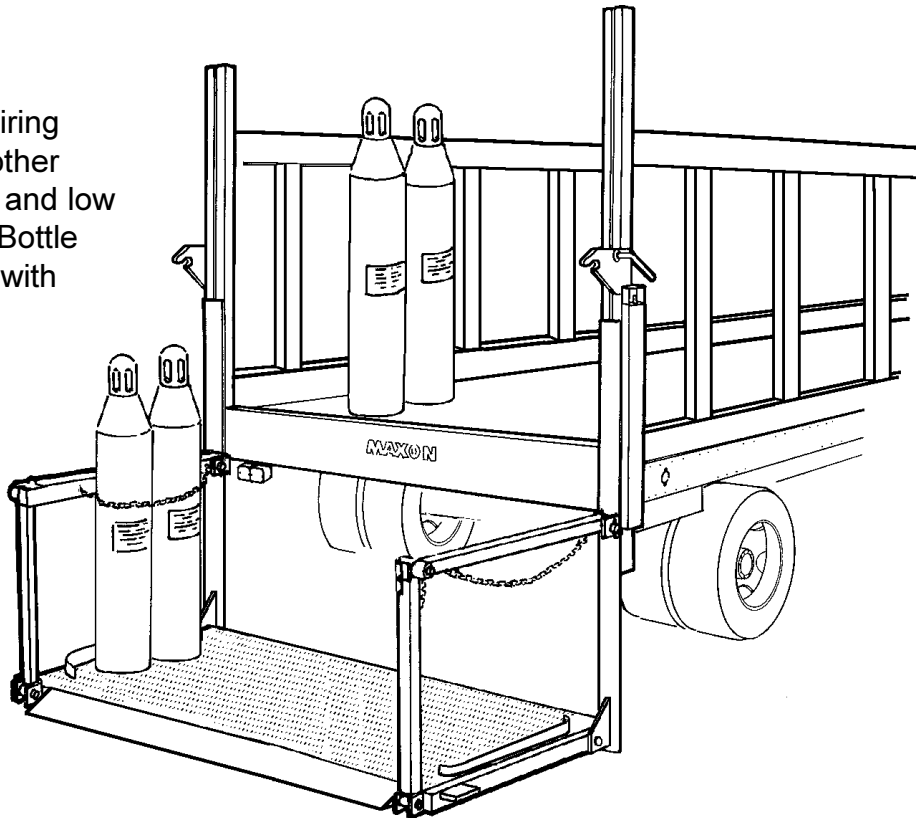
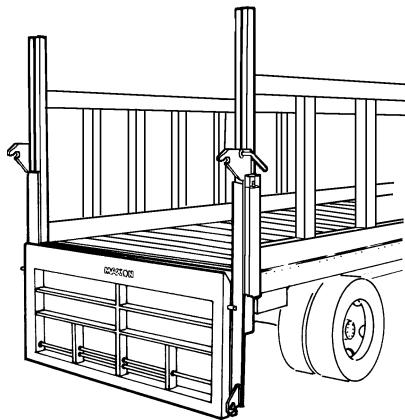


SPECIFICATIONS

MODELS: RCM-CS-16, RCM-CS-16AB

- ◆ 1600 LB. LIFTING CAPACITY
- ◆ LEVEL RIDE PLATFORMS
- ◆ MEDIUM DUTY APPLICATIONS
- ◆ GAS BOTTLE HANDLING

Designed for delivery systems requiring Medium Duty lifting capacities, no other liftgate offers the high performance and low maintenance of the RCM-CS. Gas Bottle retention railing folds automatically with torsion bar assisted platform.



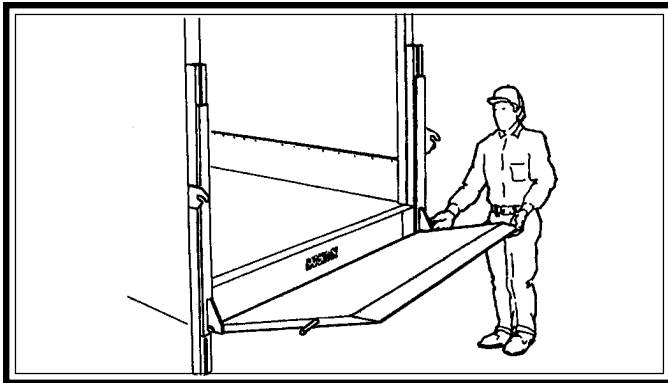
Platform lowers below bed for dock loading or access to light parcels.

The **RCM-CS-16AB** model allows the platform to rise above bed height when installed on low bed vehicles. This provides access to docks up to 52" high.

MODEL	BODY WIDTH	PLATFORM AREA	RAMP	BED HEIGHT	LIFT DIMENSIONS
RCM-CS-16	86" 90" 96"	30" x 80" 30" x 85" 30" x 90"	6" FIXED	30" - 54" 38" Min for Dock Loading	
RCM-CS-16AB		36" x 80" 36" x 85" 36" x 90"		30" - 52" 44" Min for Dock Loading	

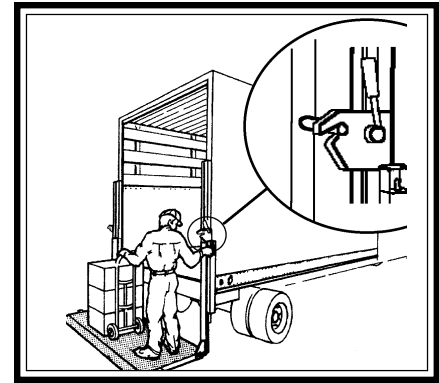
SPECIFICATIONS

MODELS: RCM-CS-16, RCM-CS-16AB



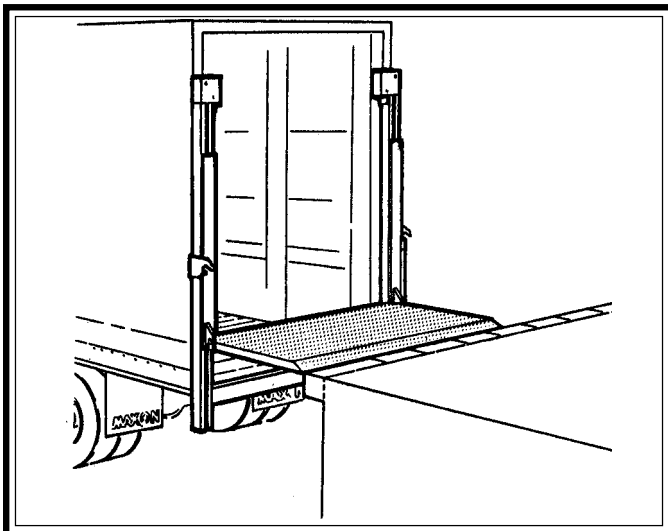
EASY CLOSING PLATFORM

Platform closing is assisted by powerful adjustable double torsion bars, designed to reduce the force required to close the platform to 15 Lbs. or less.



SIMPLE, AUTOMATIC CONTROLS

MAXON's Electric Switch Control Station is mounted on the curbside liftgate column making it easily accessible from the ground or while riding on the platform. The Automatic Safety Latch engages to keep platform in stowed position in the event of hydraulic failure. Requires no driver effort.



ABOVE BED PLATFORM TRAVEL FOR LOW BED APPLICATIONS

The RCM-CS-AB models allow the platform to rise above bed height when installed on low bed vehicles. This provides access to docks up to 52" high

FORK LIFT TYPE LEAF CHAIN

The RCM uses forklift technology in it's use of chain to lift our loads.

STANDARD EQUIPMENT

- Pump and Motor Enclosure
- Electric Switch Controls
- Above Bed Travel (On "AB" Models)

OPTIONAL EQUIPMENT

- * Auxiliary Hand Pump
- * 150 AMP Circuit Breaker (No Charge Option)
- Hand Held Control

* Preferred Options

Distributed By:

M128-0299

MAXON LIFT CORP. 11921 Slauson Ave., Santa Fe Springs, CA. 90670-2221
(800) 227-4116, FAX: (888) 771-7713 Internet: <http://www.maxonlift.com>