



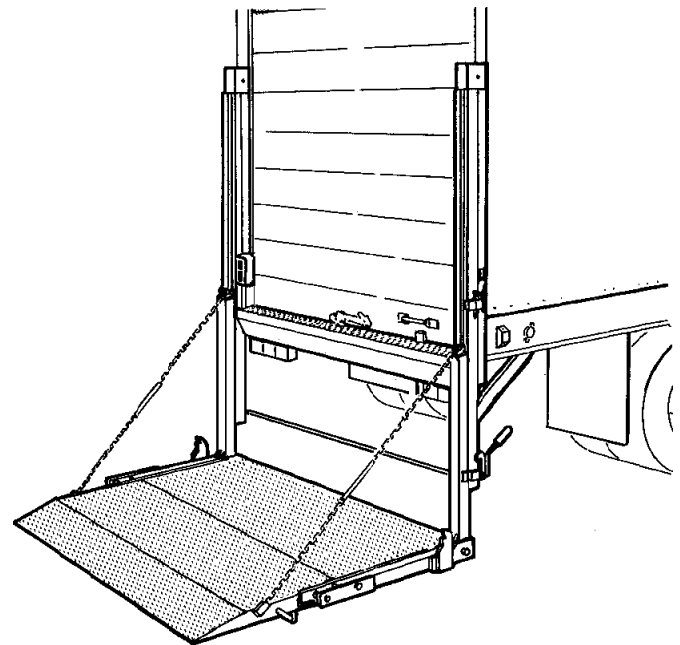
SPECIFICATIONS

MODELS: RCT-3 & RCT-4

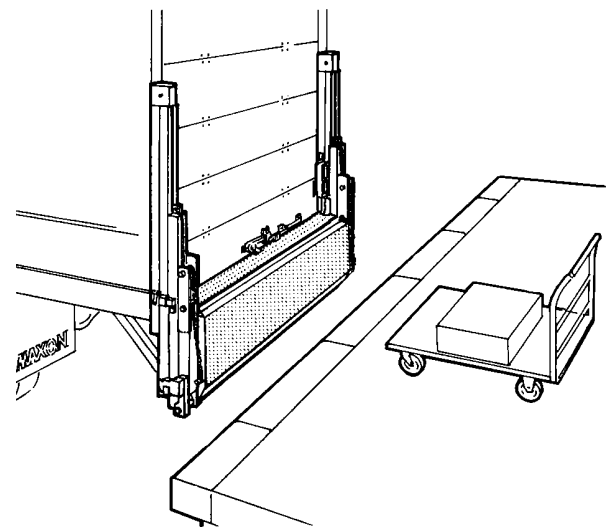
Heavy Duty Series
Level Ride, Low Profile
Large Platform, High Capacity

Large, low profile, level ride platform is ideal for pallet jack or cart operations.

MODEL (CAPACITY)	FOLDING PLATFORM
RCT-3 (3000 LBS.)	60" x 90" (30" + 30")*
RCT-4 (4000 LBS.)	



Until you need it, the MAXON RCT platform is stored below bed level and out of the way in the dock-ready position like a Tuk-A-Way, eliminating the extra time to lower the platform for dock operations. With its fully automatic operation, requiring no manual folding or unfolding, it's the fastest operating liftgate in the industry.



* Represents depth of individual folding platform sections combined to complete total platform depth shown (i.e. 30" + 30" = 60" depth).