

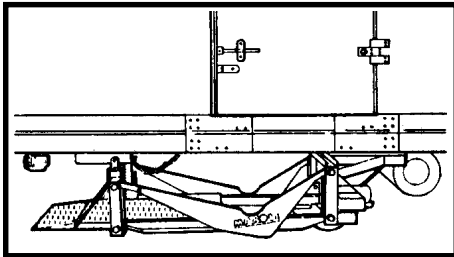


# SPECIFICATIONS

# SWIVEL LOADER

Models: SL-20 and SL-30

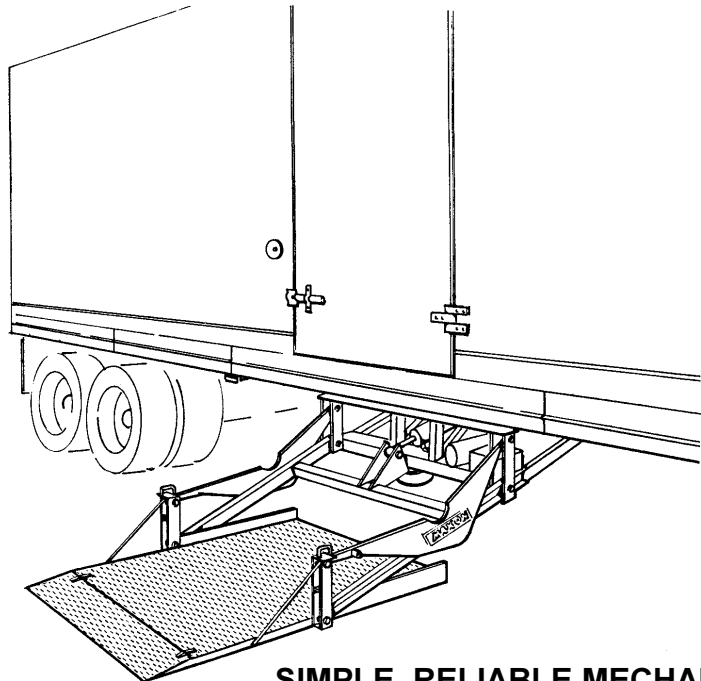
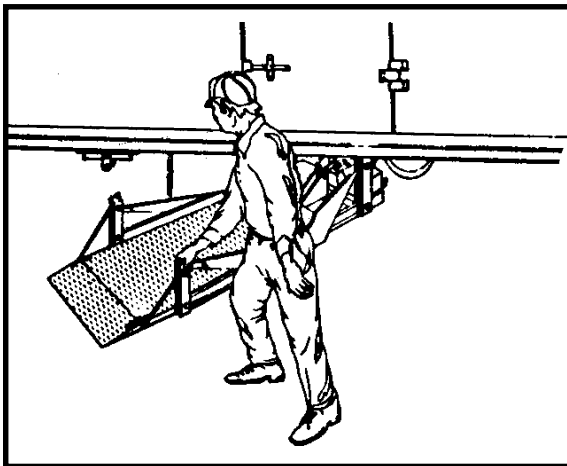
## SWIVEL LOADER™ SIDE DOOR LIFT GATES



### SWING OUT PLATFORMS

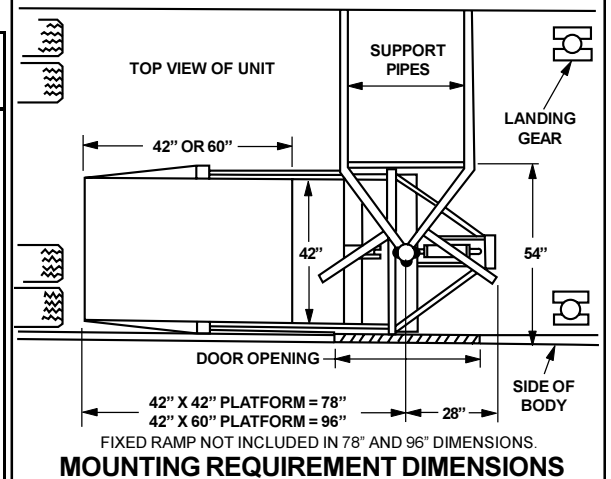
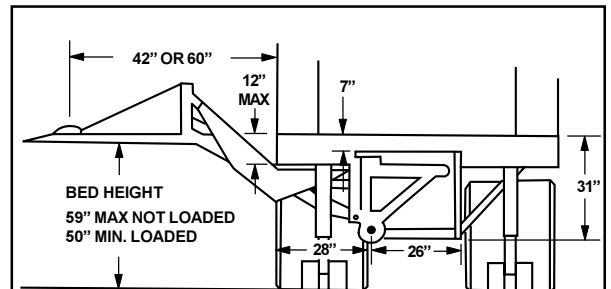
MAXON's exclusive "swing out" design eliminates lifting and folding to open and close the platform.

The operator simply unlocks the platform and swings it out with one hand.



### SIMPLE, RELIABLE MECHANISM

With less moving parts and wear points, Swivel Loader is the most reliable, lowest maintenance side door lift gate in the industry.



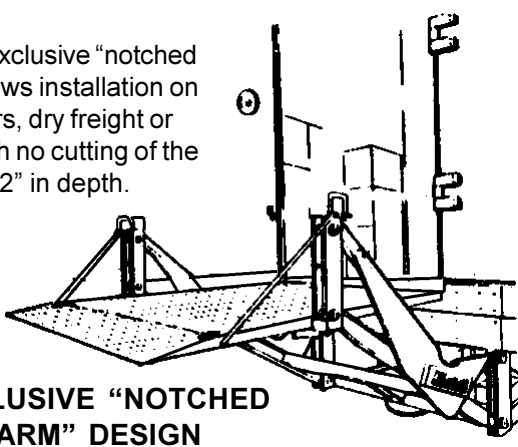
MODEL	PLATFORM LOAD AREA	RAMP	BED HEIGHT
<b>SL-20</b> <input type="checkbox"/> 2000 LBS.	<input type="checkbox"/> 42" x 42"  <input type="checkbox"/> 42" x 48"	<b>Optional</b> (on all models)  <input type="checkbox"/> 12" Fixed Ramp <input type="checkbox"/> 12" Retention Ramp	<b>50" - 59"</b>
<b>SL-30</b> <input type="checkbox"/> 3000 LBS.	<input type="checkbox"/> 42" x 60"	<input type="checkbox"/> 12" Ramp with 4" cart stop	

# SPECIFICATIONS

Models: SL-20 and SL-30

## NO CUTTING OF SIDE RAIL FOR INSTALLATION

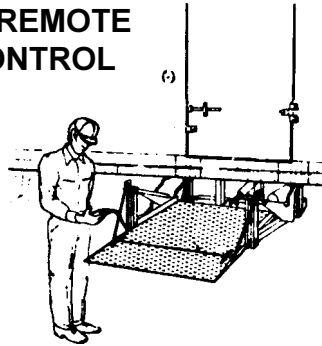
MAXON's exclusive "notched arm" design allows installation on frameless trailers, dry freight or refrigerated, with no cutting of the side rail, up to 12" in depth.



EXCLUSIVE "NOTCHED ARM" DESIGN

## DOOR MOUNTED OR REMOTE TOGGLE SWITCH CONTROL

The raising and lowering of the platform is controlled by a single toggle switch that can be mounted on the door frame or installed as a hand-held remote unit.



TOGGLE SWITCH

## STANDARD EQUIPMENT

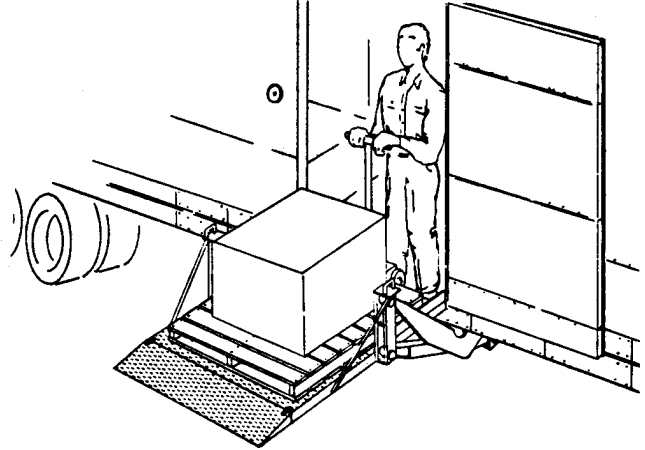
- Tractor Power Cable with Single Pole Plug and Socket

## OPTIONAL EQUIPMENT

- 12" Fixed Ramp
- 12" Flip-Up Retention Ramp
- 12" Ramp with 4" Cart Stop
- 150 AMP Circuit Breaker (No Charge Option)
- Auxiliary Hand Pump
- Auxiliary Battery Kit

## 42" x 42" AND 48" PLATFORMS SIZED FOR PALLET LOADS

The 42" width of the platform is sized specifically for side door installation. The depths of 42" or 48" accommodates pallets.



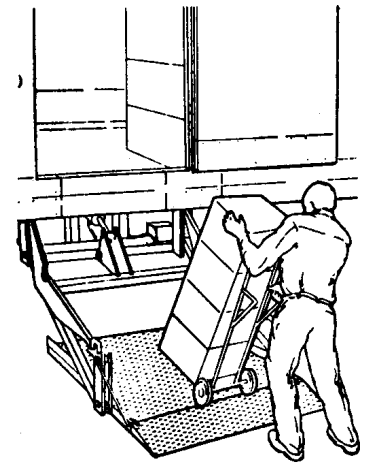
## 42" x 60" PLATFORMS SIZED FOR PALLET JACKS

The larger, 60" platform allows space for the operator to use a pallet jack.

## LOW PROFILE, LEVEL RIDE PLATFORMS

Platforms rest flat on the ground for ease of loading and unloading.

Platforms remain completely level through the raising and lowering cycles.



Distributed By:

M106-1199

MAXON LIFT CORP. 11921 Slauson Ave., Santa Fe Springs, CA. 90670-2221  
(800) 227-4116, FAX: (888) 771-7713 Internet: <http://www.maxonlift.com>