



Henke Manufacturing Corporation

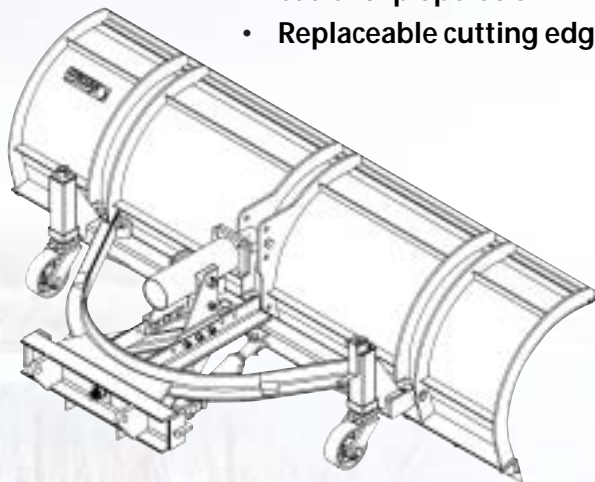
Distributed By:

Made in the USA
For Over 80 Years

Henke 30R10 "Light Line" Truck Plow



- Ideal for light to medium duty truck applications
- Various truck hitch designs available
- Hydraulically reversible
- Spring trip tension fully adjustable
- Running gear options available
- (3) "lay-back" positions on moldboard
- Enclosed spring trip with cushion spring return for quieter and easier trip operation
- Replaceable cutting edge



Product Features

- 30" moldboard
- 10' length
- AASHTO cutting edge pattern
- Heavy duty swivel and A-frame
- 3" x 10" x 2" double acting cylinders
- 3" x 4" x 1/2" bottom angle
- Circle push frame

Built Tough – Built to Last!